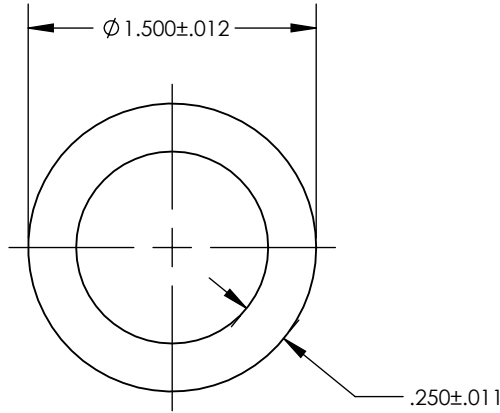


NOTE: BREAK ALL CORENERS WITH 0.015" (0.38 MM) RADIUS UNLESS OTHERWISE NOTED. STANDARD TOLERANCES TO APPLY UNLESS OTHERWISE SPECIFIED.

CUSTOMER PART No.	CUSTOMER WOLVERINE STD	WLV DIE No. WH11895	REV No. 0
DESCRIPTION 1.5 O.D. x .250 WALL ROUND TUBE	QUOTE No. 24-1557-1	PROPOSAL No. H-20134	



WALL THICKNESS .250 ± .011

DATE	REV	DESCRIPTION	BY
EST. AREA	.982	IN. ²	EST. AREA 633.547
EST. WT.	1.149	LBS/FT.	EST. WT. 1.710
EST. PER.	7.854	IN.	EST. PER. 199.492
OUT PER.	4.712	IN.	OUT PER. 119.685
C.C.D.	1.500	IN.	C.C.D. 38.100
FACTOR 7	FINISH M/F	ALLOY & TEMP.	6061-T6
CKD BY	SCALE 1:1	DWN BY B.A.	DATE 8/19/24

WOLVERINE

2100 MARKET STREET
DECATUR, AL 35816
800-633-3972

THIS DRAWING IS NOT NECESSARILY A COPY OF YOUR ORIGINAL. PLEASE APPROVE DIMENSIONS AND TOLERANCES INDICATED. WOLVERINE ASSUMES NO RESPONSIBILITY EITHER TECHNICAL OR LEGAL FOR HAVING THIS SHAPE MADE. THE CUSTOMER AGREES TO FULLY PROTECT WOLVERINE FROM CLAIMS OF OTHERS RESULTING FROM THIS SHAPE.

SIGNED: _____ **DATE:** _____
PRINT NAME: _____