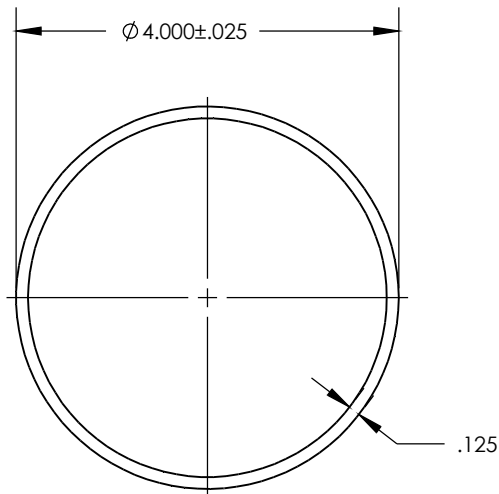


NOTE: BREAK ALL CORNERS WITH 0.015" (0.38 MM) RADIUS UNLESS OTHERWISE NOTED. STANDARD TOLERANCES TO APPLY UNLESS OTHERWISE SPECIFIED.

CUSTOMER PART No.	CUSTOMER WOLVERINE STD	WLV DIE No. WH11045	REV No. 0
DESCRIPTION 4" O.D. x .125" WALL TUBE	QUOTE No. 21-1456-1	PROPOSAL No. H-15324	



WALL THICKNESS .125

DATE	REV	DESCRIPTION	BY	
EST. AREA	1.522	IN. ²	EST. AREA 981.934	MM. ²
EST. WT.	1.781	LBS/FT.	EST. WT. 2.650	KG/M
EST. PER.	24.347	IN.	EST. PER. 618.414	MM.
OUT PER.	12.566	IN.	OUT PER. 319.176	MM.
C.C.D.	4.000	IN.	C.C.D. 101.600	MM.
FACTOR 14	FINISH M/F	ALLOY & TEMP. 6061/6063		
CKD BY	SCALE 1:2	DWN BY B.A.	DATE 6/21/21	

WOLVERINE

2100 MARKET STREET
DECATUR, AL 35816
800-633-3972

THIS DRAWING IS NOT NECESSARILY A COPY OF YOUR ORIGINAL. PLEASE APPROVE DIMENSIONS AND TOLERANCES INDICATED. WOLVERINE ASSUMES NO RESPONSIBILITY EITHER TECHNICAL OR LEGAL FOR HAVING THIS SHAPE MADE. THE CUSTOMER AGREES TO FULLY PROTECT WOLVERINE FROM CLAIMS OF OTHERS RESULTING FROM THIS SHAPE.

SIGNED: _____ DATE: _____

PRINT NAME: _____