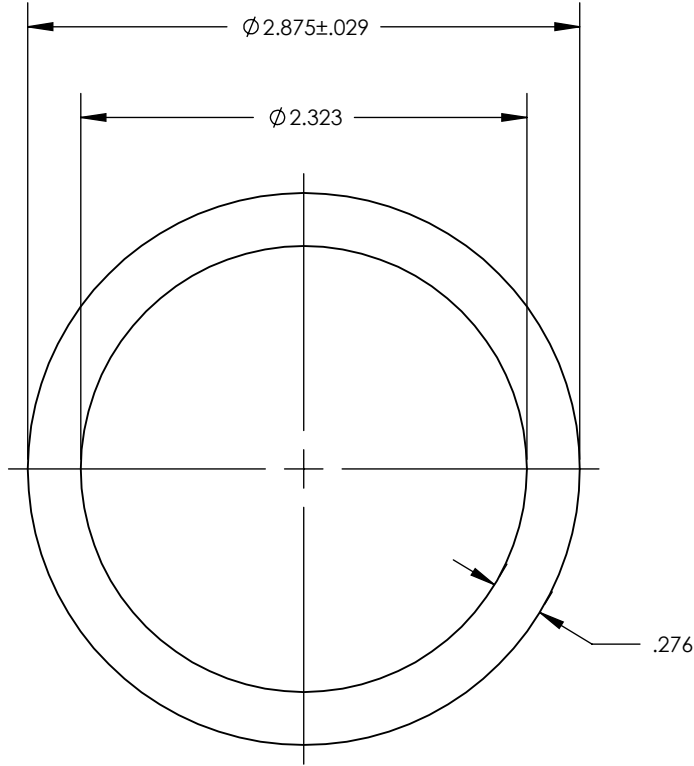


NOTE: BREAK ALL CORNERS WITH 0.015" (0.38 MM) RADIUS UNLESS OTHERWISE NOTED. STANDARD TOLERANCES TO APPLY UNLESS OTHERWISE SPECIFIED.

CUSTOMER PART No.	CUSTOMER WOLVERINE STD	WLV DIE No. WH10373	REV No. 0
DESCRIPTION 2-1/2" SCH. 80 PIPE	QUOTE No. 19-1134-4	PROPOSAL No. H-11323	



WALL THICKNESS AS SHOWN

DATE	REV	DESCRIPTION	BY
6/19/20	A	REVISED ID AND WALL DIMENSIONS	J.R.
EST. AREA	2.254	IN. ²	EST. AREA
EST. WT.	2.638	LBS/FT.	EST. WT.
EST. PER.	16.330	IN.	EST. PER.
OUT PER.	9.032	IN.	OUT PER.
C.C.D.	2.875	IN.	C.C.D.
FACTOR	6	FINISH	M/F
CKD BY		SCALE	1:1
		DWN BY	B.A.
		DATE	2/27/19
		ALLOY & TEMP.	6063

WOLVERINE

2100 MARKET STREET
DECATUR, AL 35816
800-633-3972

THIS DRAWING IS NOT NECESSARILY A COPY OF YOUR ORIGINAL. PLEASE APPROVE DIMENSIONS AND TOLERANCES INDICATED. WOLVERINE ASSUMES NO RESPONSIBILITY EITHER TECHNICAL OR LEGAL FOR HAVING THIS SHAPE MADE. THE CUSTOMER AGREES TO FULLY PROTECT WOLVERINE FROM CLAIMS OF OTHERS RESULTING FROM THIS SHAPE.

SIGNED: _____ DATE: _____
PRINT NAME: _____