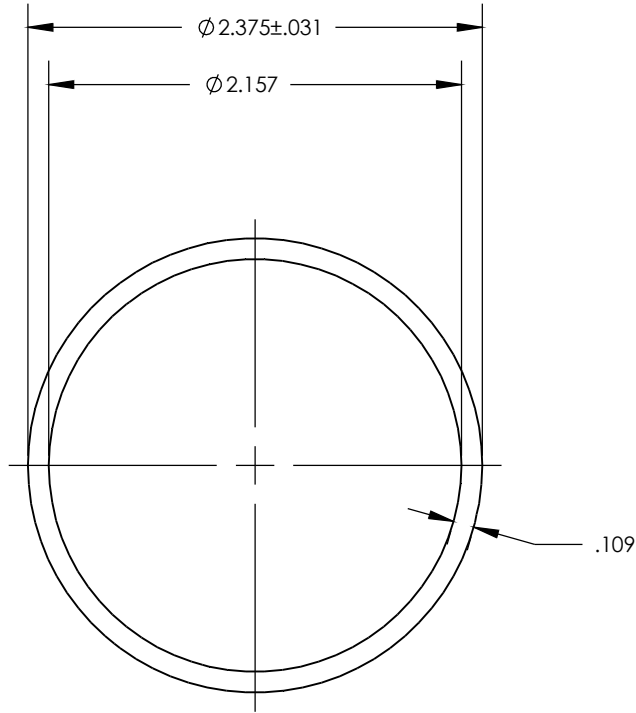


NOTE: BREAK ALL CORNERS WITH 0.015" (0.38 MM) RADIUS UNLESS OTHERWISE NOTED. STANDARD TOLERANCES TO APPLY UNLESS OTHERWISE SPECIFIED.

CUSTOMER PART No.	CUSTOMER WOLVERINE STD	WLV DIE No. WH10745	REV No. 0
DESCRIPTION 2' SCH. 10 PIPE	QUOTE No. 20-1246-1	PROPOSAL No. H-13465	



WALL THICKNESS .109

DATE	REV	DESCRIPTION	BY
EST. AREA	.776	IN. ²	EST. AREA 500.644
EST. WT.	.908	LBS/FT.	EST. WT. 1.351
EST. PER.	14.238	IN.	EST. PER. 361.645
OUT PER.	7.461	IN.	OUT PER. 189.509
C.C.D.	2.375	IN.	C.C.D. 60.325
FACTOR 16	FINISH M/F	ALLOY & TEMP. 6063	
CKD BY	SCALE 1:1	DWN BY B.A.	DATE 4/3/20

WOLVERINE

2100 MARKET STREET
DECATUR, AL 35816
800-633-3972

THIS DRAWING IS NOT NECESSARILY A COPY OF YOUR ORIGINAL. PLEASE APPROVE DIMENSIONS AND TOLERANCES INDICATED. WOLVERINE ASSUMES NO RESPONSIBILITY EITHER TECHNICAL OR LEGAL FOR HAVING THIS SHAPE MADE. THE CUSTOMER AGREES TO FULLY PROTECT WOLVERINE FROM CLAIMS OF OTHERS RESULTING FROM THIS SHAPE.

SIGNED: _____ DATE: _____
PRINT NAME: _____