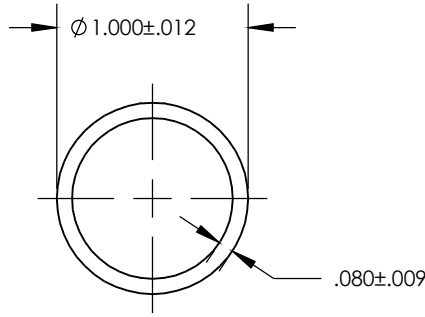


NOTE: BREAK ALL CORNERS WITH 0.015" (0.38 MM) RADIUS UNLESS OTHERWISE NOTED. STANDARD TOLERANCES TO APPLY UNLESS OTHERWISE SPECIFIED.

| | | | |
|------------------------------|----------------------------------|--------------------------------|--------------------------------|
| CUSTOMER PART No. | CUSTOMER WOLVERINE STD | WLV DIE No. WH10718 | REV No. 0 |
| DESCRIPTION 1 TUBE | | QUOTE No. 19-1755-15 | PROPOSAL No. H-12837 |



WALL THICKNESS $.080 \pm .009$

| DATE | REV | DESCRIPTION | BY |
|-------------|------------|--------------------|-------------------|
| | | | |
| EST. AREA | .231 | IN. ² | EST. AREA 149.032 |
| EST. WT. | .271 | LBS/FT. | EST. WT. .403 |
| EST. PER. | 5.781 | IN. | EST. PER. 146.837 |
| OUT PER. | 3.142 | IN. | OUT PER. 79.807 |
| C.C.D. | 1.000 | IN. | C.C.D. 25.400 |
| FACTOR 21.5 | FINISH M/F | ALLOY & TEMP. 6063 | |
| CKD BY | SCALE 1:1 | DWN BY B.A. | DATE 12/4/19 |

WOLVERINE

2100 MARKET STREET
DECATUR, AL 35816
800-633-3972

THIS DRAWING IS NOT NECESSARILY A COPY OF YOUR ORIGINAL. PLEASE APPROVE DIMENSIONS AND TOLERANCES INDICATED. WOLVERINE ASSUMES NO RESPONSIBILITY EITHER TECHNICAL OR LEGAL FOR HAVING THIS SHAPE MADE. THE CUSTOMER AGREES TO FULLY PROTECT WOLVERINE FROM CLAIMS OF OTHERS RESULTING FROM THIS SHAPE.

SIGNED: _____ **DATE:** _____

PRINT NAME: _____