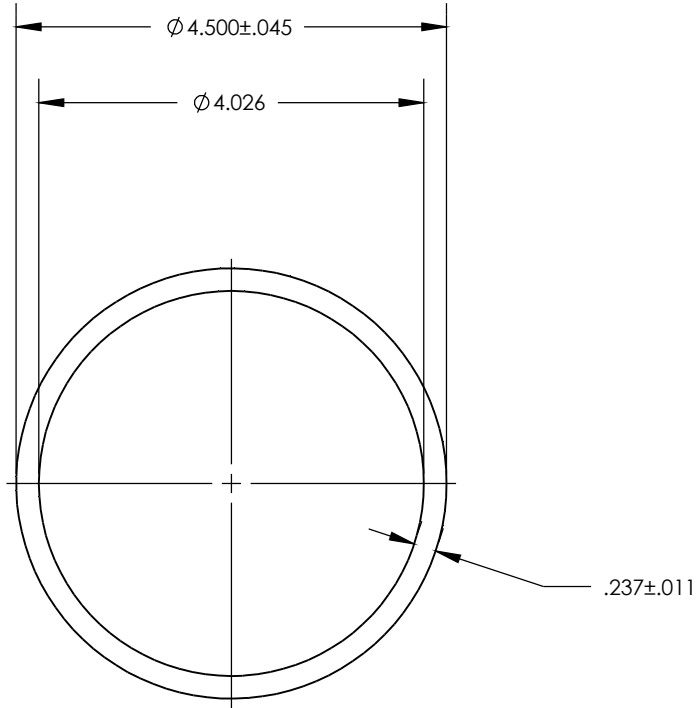


NOTE: BREAK ALL CORNERS WITH 0.015" (0.38 MM) RADIUS UNLESS OTHERWISE NOTED. STANDARD TOLERANCES TO APPLY UNLESS OTHERWISE SPECIFIED.

CUSTOMER PART No.	CUSTOMER WOLVERINE STD	WLV DIE No. WH10272	REV No. 0
DESCRIPTION 4" SCH 40 PIPE		QUOTE No. 18-1415-5	PROPOSAL No. H-10806



WALL THICKNESS $.237 \pm .011$

DATE	REV	DESCRIPTION	BY
EST. AREA	3.174	IN. ²	EST. AREA 2047.738
EST. WT.	3.715	LBS/FT.	EST. WT. 5.529
EST. PER.	26.785	IN.	EST. PER. 680.339
OUT PER.	14.137	IN.	OUT PER. 359.080
C.C.D.	4.500	IN.	C.C.D. 114.300
FACTOR 8.5	FINISH M/F	ALLOY & TEMP. 6063	
CKD BY	SCALE 1:2	DWN BY B.A.	DATE 11/5/18

WOLVERINE

2100 MARKET STREET
DECATUR, AL 35816
800-633-3972

THIS DRAWING IS NOT NECESSARILY A COPY OF YOUR ORIGINAL. PLEASE APPROVE DIMENSIONS AND TOLERANCES INDICATED. WOLVERINE ASSUMES NO RESPONSIBILITY EITHER TECHNICAL OR LEGAL FOR HAVING THIS SHAPE MADE. THE CUSTOMER AGREES TO FULLY PROTECT WOLVERINE FROM CLAIMS OF OTHERS RESULTING FROM THIS SHAPE.

SIGNED: _____ DATE: _____
PRINT NAME: _____