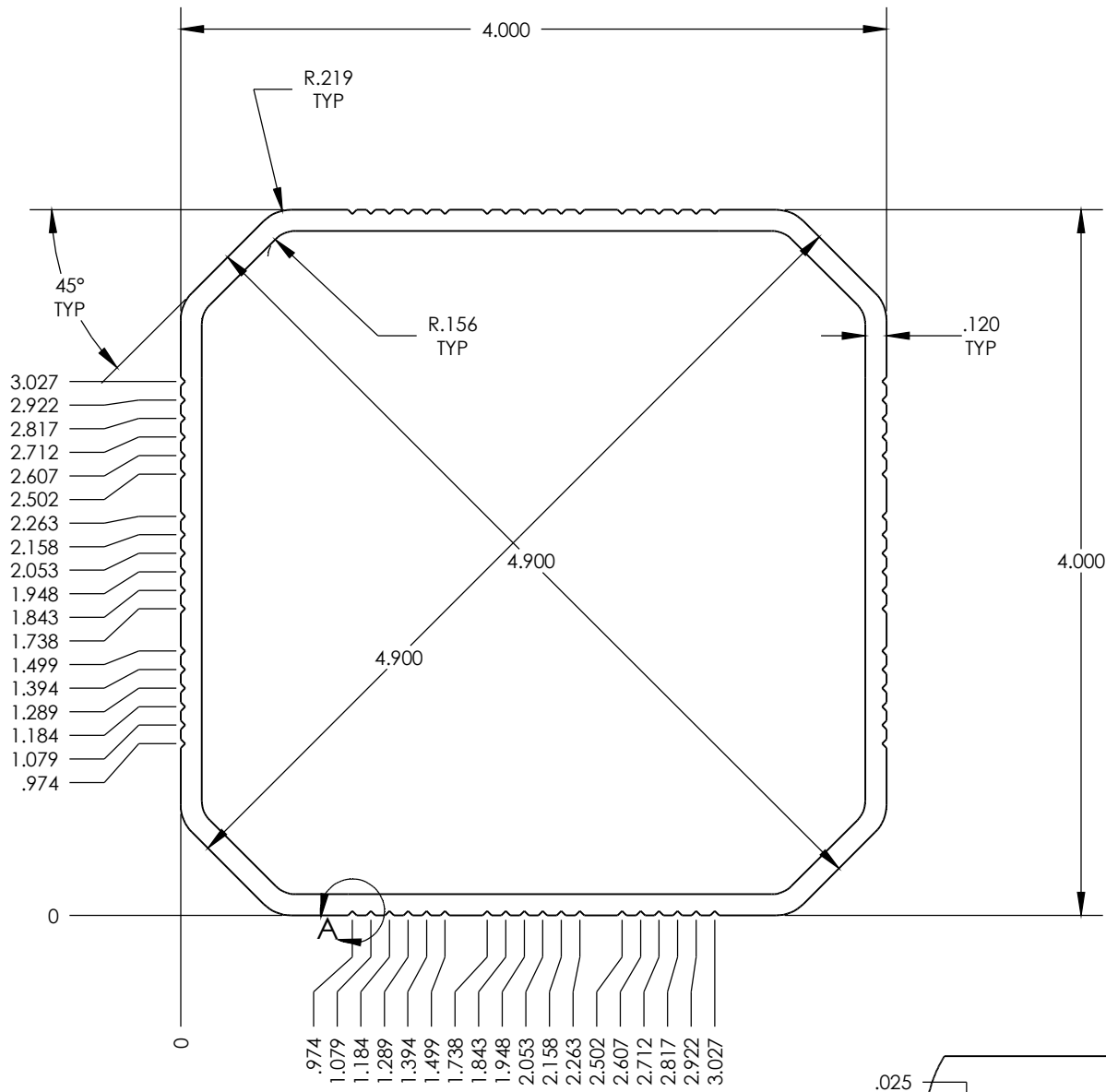
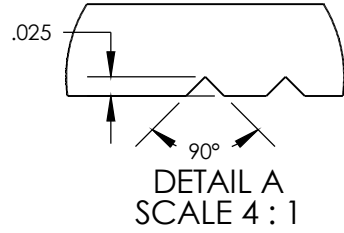


NOTE: BREAK ALL CORNERS WITH 0.015" (0.38 MM) RADIUS UNLESS OTHERWISE NOTED. STANDARD TOLERANCES TO APPLY UNLESS OTHERWISE SPECIFIED.

CUSTOMER PART No.	CUSTOMER WOLVERINE OPEN SHAPE	WLV DIE No. WH10134	REV No. 0
DESCRIPTION 4 x 4 ANGLED CORNER SERRATED BOAT DOCK		QUOTE No. 18-1010-2	PROPOSAL No. H-10104



ACTUAL SIZE



WALL THICKNESS .120" EXCEPT AS SHOWN

DATE	REV	DESCRIPTION	BY
EST. AREA	1.673	IN. ²	EST. AREA 1079.353
EST. WT.	1.958	LBS/FT.	EST. WT. 2.914
EST. PER.	30.059	IN.	EST. PER. 763.499
OUT PER.	16.162	IN.	OUT PER. 410.515
C.C.D.	4.937	IN.	C.C.D. 125.399
FACTOR 15.5	FINISH M/F	ALLOY & TEMP. 6005a-T6	
CKD BY	SCALE 1:1	DWN BY B.A.	DATE 2/14/18

WOLVERINE

2100 MARKET STREET
DECATUR, AL 35816
800-633-3972

THIS DRAWING IS NOT NECESSARILY A COPY OF YOUR ORIGINAL. PLEASE APPROVE DIMENSIONS AND TOLERANCES INDICATED. WOLVERINE ASSUMES NO RESPONSIBILITY EITHER TECHNICAL OR LEGAL FOR HAVING THIS SHAPE MADE. THE CUSTOMER AGREES TO FULLY PROTECT WOLVERINE FROM CLAIMS OF OTHERS RESULTING FROM THIS SHAPE.

SIGNED: _____ DATE: _____
PRINT NAME: _____