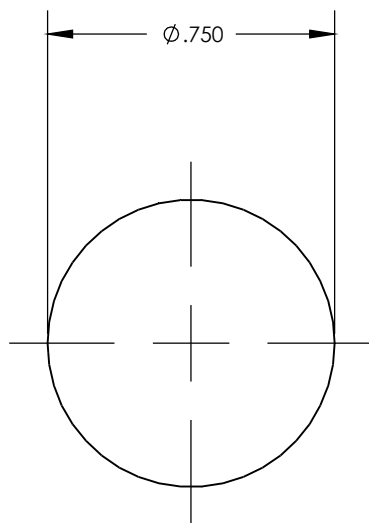


NOTE: BREAK ALL CORNERS WITH 0.015" (0.38 MM) RADIUS UNLESS OTHERWISE NOTED. STANDARD TOLERANCES TO APPLY UNLESS OTHERWISE SPECIFIED.

CUSTOMER PART No.	CUSTOMER <b>WOLVERINE STD</b>	WLV DIE No. <b>WS10163</b>	REV No. <b>0</b>
DESCRIPTION <b>3/4" DIA. ROD</b>		QUOTE No. <b>18-1138-6</b>	PROPOSAL No. <b>S-10389</b>



WALL THICKNESS .750" EXCEPT AS SHOWN

DATE	REV	DESCRIPTION	BY
EST. AREA	.442	IN. <sup>2</sup>	EST. AREA 285.161
EST. WT.	.517	LBS/FT.	EST. WT. .769
EST. PER.	2.356	IN.	EST. PER. 59.842
OUT PER.		IN.	OUT PER.
C.C.D.	.750	IN.	C.C.D. 19.050
FACTOR 5	FINISH M/F	ALLOY & TEMP.	6061
CKD BY	SCALE 2:1	DWN BY	B.A. DATE 6/27/18

**WOLVERINE**

2100 MARKET STREET  
DECATUR, AL 35816  
800-633-3972

THIS DRAWING IS NOT NECESSARILY A COPY OF YOUR ORIGINAL. PLEASE APPROVE DIMENSIONS AND TOLERANCES INDICATED. WOLVERINE ASSUMES NO RESPONSIBILITY EITHER TECHNICAL OR LEGAL FOR HAVING THIS SHAPE MADE. THE CUSTOMER AGREES TO FULLY PROTECT WOLVERINE FROM CLAIMS OF OTHERS RESULTING FROM THIS SHAPE.

SIGNED: \_\_\_\_\_ DATE: \_\_\_\_\_

PRINT NAME: \_\_\_\_\_