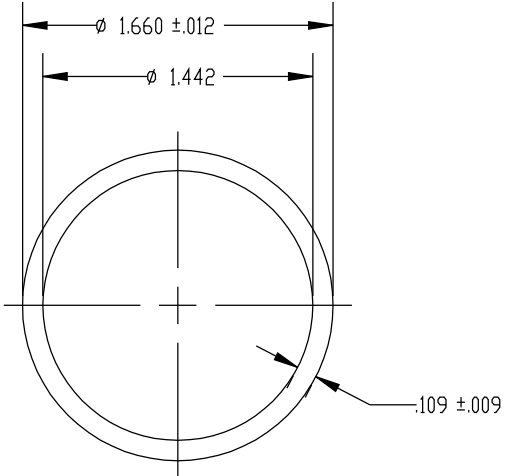


NOTE: BREAK ALL CORNERS WITH 0.015" (0.38 MM) RADIUS UNLESS OTHERWISE NOTED. STANDARD TOLERANCES TO APPLY UNLESS OTHERWISE SPECIFIED.

CUSTOMER PART No.	CUSTOMER WOLVERINE STD	WLV DIE No. WH10443	REV No. 0
DESCRIPTION 1-1/4" SCH. 10 PIPE	QUOTE No. 19-1310-1	PROPOSAL No. H-11840	



WALL THICKNESS .109 ± .009

DATE	REV	DESCRIPTION	BY
EST. AREA	.531	IN. <sup>2</sup>	EST. AREA 342.580
EST. WT.	.622	LBS/FT.	EST. WT. .926
EST. PER.	9.745	IN.	EST. PER. 247.523
OUT PER.	5.215	IN.	OUT PER. 132.461
C.C.D.	1.660	IN.	C.C.D. 42.164
FACTOR	16	FINISH	M/F
ALLOY & TEMP.	6005A		
CKD BY	SCALE	1:1	DWN BY B.A. DATE 5/21/19

**WOLVERINE**

2100 MARKET STREET  
 DECATUR, AL 35816  
 800-633-3972

THIS DRAWING IS NOT NECESSARILY A COPY OF YOUR ORIGINAL. PLEASE APPROVE DIMENSIONS AND TOLERANCES INDICATED. WOLVERINE ASSUMES NO RESPONSIBILITY EITHER TECHNICAL OR LEGAL FOR HAVING THIS SHAPE MADE. THE CUSTOMER AGREES TO FULLY PROTECT WOLVERINE FROM CLAIMS OF OTHERS RESULTING FROM THIS SHAPE.

SIGNED: \_\_\_\_\_ DATE: \_\_\_\_\_  
 PRINT NAME: \_\_\_\_\_