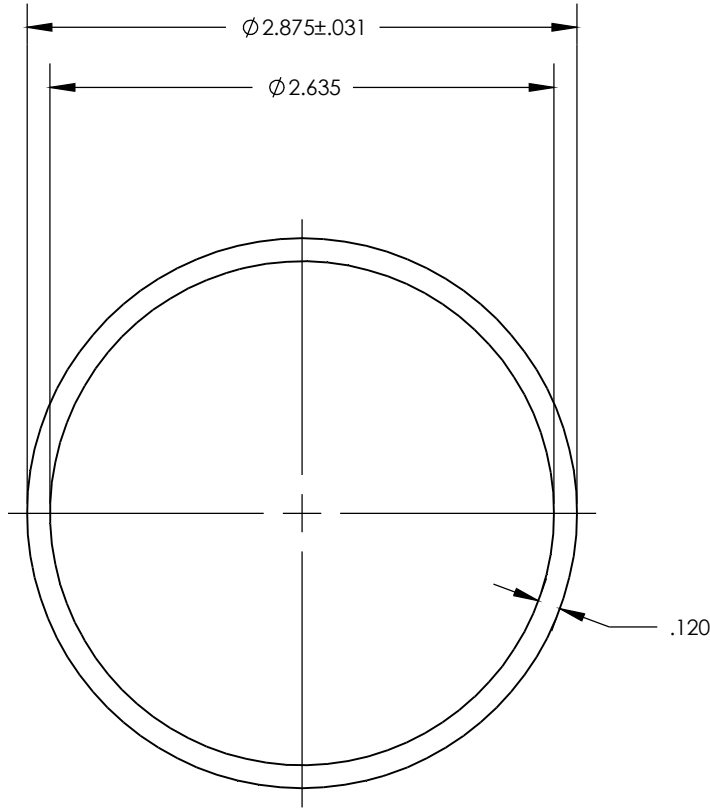


NOTE: BREAK ALL CORNERS WITH 0.015" (0.38 MM) RADIUS UNLESS OTHERWISE NOTED. STANDARD TOLERANCES TO APPLY UNLESS OTHERWISE SPECIFIED.

CUSTOMER PART No.	CUSTOMER WOLVERINE STD	WLV DIE No. WH10436	REV No. 0
DESCRIPTION 2-1/2" SCH 10 PIPE	QUOTE No. 19-1283-1	PROPOSAL No. H-11764	



WALL THICKNESS .120

DATE	REV	DESCRIPTION	BY
EST. AREA	1.039	IN. ²	EST. AREA 670.321
EST. WT.	1.216	LBS/FT.	EST. WT. 1.810
EST. PER.	17.310	IN.	EST. PER. 439.674
OUT PER.	9.032	IN.	OUT PER. 229.413
C.C.D.	2.875	IN.	C.C.D. 73.025
FACTOR 14.5	FINISH M/F	ALLOY & TEMP. 6063/6061	
CKD BY	SCALE 1:1	DWN BY B.A.	DATE 5/7/19

WOLVERINE 2100 MARKET STREET
 DECATUR, AL 35816
 800-633-3972

THIS DRAWING IS NOT NECESSARILY A COPY OF YOUR ORIGINAL. PLEASE APPROVE DIMENSIONS AND TOLERANCES INDICATED. WOLVERINE ASSUMES NO RESPONSIBILITY EITHER TECHNICAL OR LEGAL FOR HAVING THIS SHAPE MADE. THE CUSTOMER AGREES TO FULLY PROTECT WOLVERINE FROM CLAIMS OF OTHERS RESULTING FROM THIS SHAPE.

SIGNED: _____ **DATE:** _____

PRINT NAME: _____