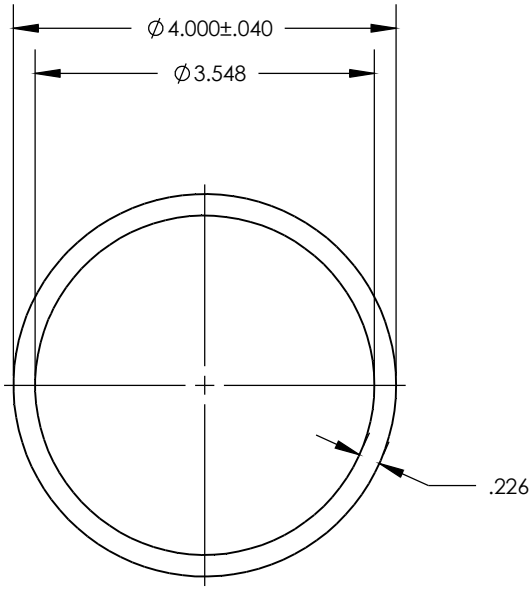


NOTE: BREAK ALL CORNERS WITH 0.015" (0.38 MM) RADIUS UNLESS OTHERWISE NOTED. STANDARD TOLERANCES TO APPLY UNLESS OTHERWISE SPECIFIED.

CUSTOMER PART No.	CUSTOMER <b>WOLVERINE STD</b>	WLV DIE No. <b>WH10411</b>	REV No. <b>0</b>
DESCRIPTION <b>3-1/2" SCH. 40 PIPE</b>		QUOTE No. <b>19-1250-1</b>	PROPOSAL No. <b>H-11660</b>



WALL THICKNESS .226

DATE	REV	DESCRIPTION	BY
EST. AREA	2.680	IN. <sup>2</sup>	EST. AREA 1729.029
EST. WT.	3.136	LBS/FT.	EST. WT. 4.667
EST. PER.	23.713	IN.	EST. PER. 602.310
OUT PER.	12.566	IN.	OUT PER. 319.176
C.C.D.	4.000	IN.	C.C.D. 101.600
FACTOR 8	FINISH M/F	ALLOY & TEMP.	6061
CKD BY	SCALE 1:2	DWN BY <b>B.A.</b>	DATE 4/16/19

**WOLVERINE**

2100 MARKET STREET  
DECATUR, AL 35816  
800-633-3972

THIS DRAWING IS NOT NECESSARILY A COPY OF YOUR ORIGINAL. PLEASE APPROVE DIMENSIONS AND TOLERANCES INDICATED. WOLVERINE ASSUMES NO RESPONSIBILITY EITHER TECHNICAL OR LEGAL FOR HAVING THIS SHAPE MADE. THE CUSTOMER AGREES TO FULLY PROTECT WOLVERINE FROM CLAIMS OF OTHERS RESULTING FROM THIS SHAPE.

**SIGNED:** \_\_\_\_\_ **DATE:** \_\_\_\_\_

**PRINT NAME:** \_\_\_\_\_