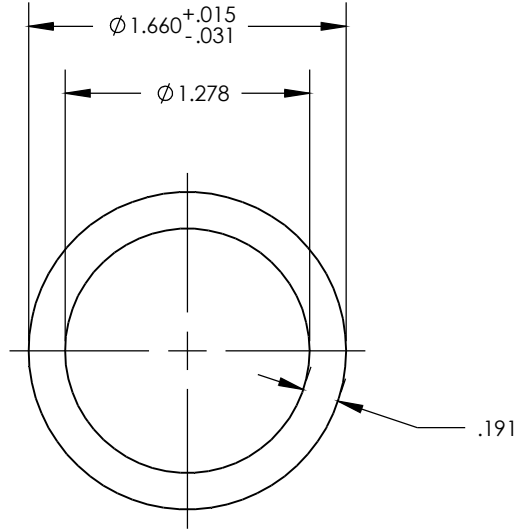


NOTE: BREAK ALL CORNERS WITH 0.015" (0.38 MM) RADIUS UNLESS OTHERWISE NOTED. STANDARD TOLERANCES TO APPLY UNLESS OTHERWISE SPECIFIED.

CUSTOMER PART No.	CUSTOMER WOLVERINE STD	WLV DIE No. WH10409	REV No. 0
DESCRIPTION 1-1/4" SCHEDULE 80 PIPE		QUOTE No. 19-1235-2	PROPOSAL No. H-11609



WALL THICKNESS **.191**

DATE	REV	DESCRIPTION	BY
EST. AREA	.881	IN. ²	EST. AREA 568.386
EST. WT.	1.032	LBS/FT.	EST. WT. 1.536
EST. PER.	9.230	IN.	EST. PER. 234.442
OUT PER.	5.215	IN.	OUT PER. 132.461
C.C.D.	1.660	IN.	C.C.D. 42.164
FACTOR 9	FINISH M/F	ALLOY & TEMP.	6061
CKD BY	SCALE 1:1	DWN BY B.A.	DATE 4/11/19

WOLVERINE 2100 MARKET STREET
 DECATUR, AL 35816
 800-633-3972

THIS DRAWING IS NOT NECESSARILY A COPY OF YOUR ORIGINAL. PLEASE APPROVE DIMENSIONS AND TOLERANCES INDICATED. WOLVERINE ASSUMES NO RESPONSIBILITY EITHER TECHNICAL OR LEGAL FOR HAVING THIS SHAPE MADE. THE CUSTOMER AGREES TO FULLY PROTECT WOLVERINE FROM CLAIMS OF OTHERS RESULTING FROM THIS SHAPE.

SIGNED: _____ **DATE:** _____
PRINT NAME: _____