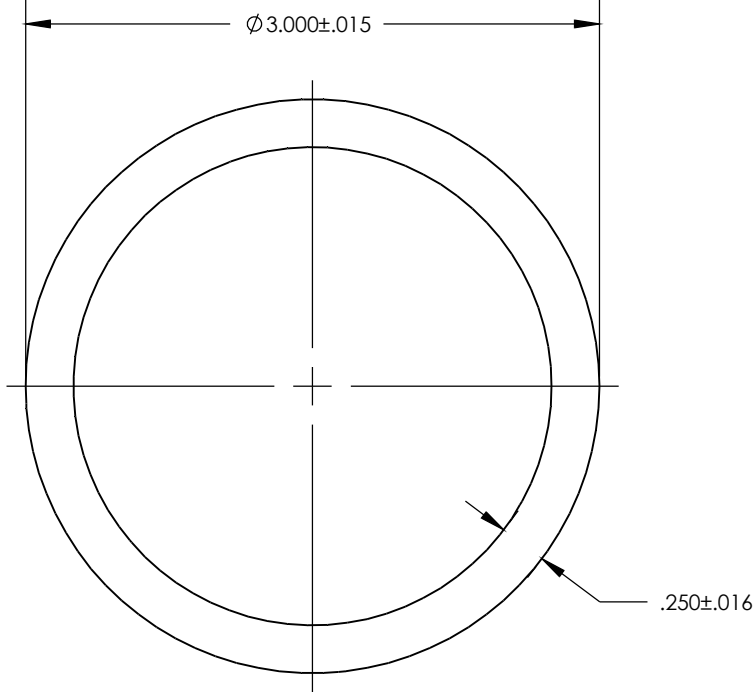


NOTE: BREAK ALL CORNERS WITH 0.015" (0.38 MM) RADIUS UNLESS OTHERWISE NOTED. STANDARD TOLERANCES TO APPLY UNLESS OTHERWISE SPECIFIED.

CUSTOMER PART No.	CUSTOMER WOLVERINE STD	WLV DIE No. WH10377	REV No. 0
DESCRIPTION 3" x 1/4" WALL ROUND TUBE		QUOTE No. 19-1131-5	PROPOSAL No. H-11317



WALL THICKNESS $.250 \pm .016$

DATE	REV	DESCRIPTION		BY	
EST. AREA	2.160	IN. ²	EST. AREA	1393.546	MM. ²
EST. WT.	2.528	LBS/FT.	EST. WT.	3.762	KG/M
EST. PER.	17.279	IN.	EST. PER.	438.887	MM.
OUT PER.	9.425	IN.	OUT PER.	239.395	MM.
C.C.D.	3.000	IN.	C.C.D.	76.200	MM.
FACTOR 7	FINISH	M/F	ALLOY & TEMP.	6061	
CKD BY	SCALE	1:1	DWN BY	B.A.	DATE 2/25/19

WOLVERINE

2100 MARKET STREET
DECATUR, AL 35816
800-633-3972

THIS DRAWING IS NOT NECESSARILY A COPY OF YOUR ORIGINAL. PLEASE APPROVE DIMENSIONS AND TOLERANCES INDICATED. WOLVERINE ASSUMES NO RESPONSIBILITY EITHER TECHNICAL OR LEGAL FOR HAVING THIS SHAPE MADE. THE CUSTOMER AGREES TO FULLY PROTECT WOLVERINE FROM CLAIMS OF OTHERS RESULTING FROM THIS SHAPE.

SIGNED: _____ DATE: _____
PRINT NAME: _____