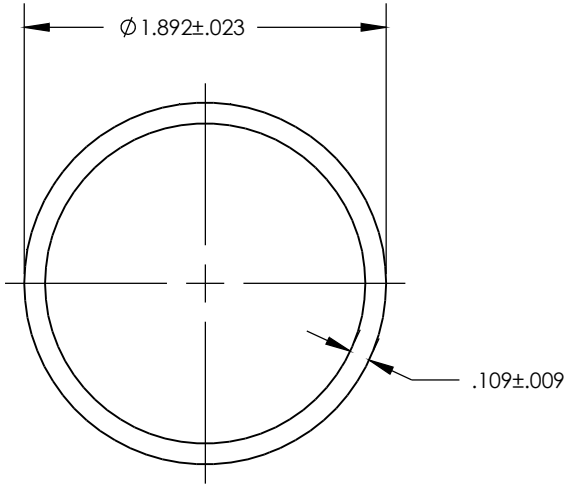


NOTE: BREAK ALL CORNERS WITH 0.015" (0.38 MM) RADIUS UNLESS OTHERWISE NOTED. STANDARD TOLERANCES TO APPLY UNLESS OTHERWISE SPECIFIED.

CUSTOMER PART No.	CUSTOMER WOLVERINE STD	WLV DIE No. WH10328	REV No. 0
DESCRIPTION 1-1/2" SCHEDULE 10 PIPE		QUOTE No. 19-1066-1	PROPOSAL No. H-11185



WALL THICKNESS $.109 \pm .009$

DATE	REV	DESCRIPTION	BY
EST. AREA	.611	IN. ²	EST. AREA 394.193
EST. WT.	.715	LBS/FT.	EST. WT. 1.064
EST. PER.	11.203	IN.	EST. PER. 284.556
OUT PER.	5.944	IN.	OUT PER. 150.978
C.C.D.	1.892	IN.	C.C.D. 48.057
FACTOR 16	FINISH M/F	ALLOY & TEMP. 6063	
CKD BY	SCALE 1:1	DWN BY B.A.	DATE 1/29/19

WOLVERINE

2100 MARKET STREET
 DECATUR, AL 35816
 800-633-3972

THIS DRAWING IS NOT NECESSARILY A COPY OF YOUR ORIGINAL. PLEASE APPROVE DIMENSIONS AND TOLERANCES INDICATED. WOLVERINE ASSUMES NO RESPONSIBILITY EITHER TECHNICAL OR LEGAL FOR HAVING THIS SHAPE MADE. THE CUSTOMER AGREES TO FULLY PROTECT WOLVERINE FROM CLAIMS OF OTHERS RESULTING FROM THIS SHAPE.

SIGNED: _____ **DATE:** _____
PRINT NAME: _____