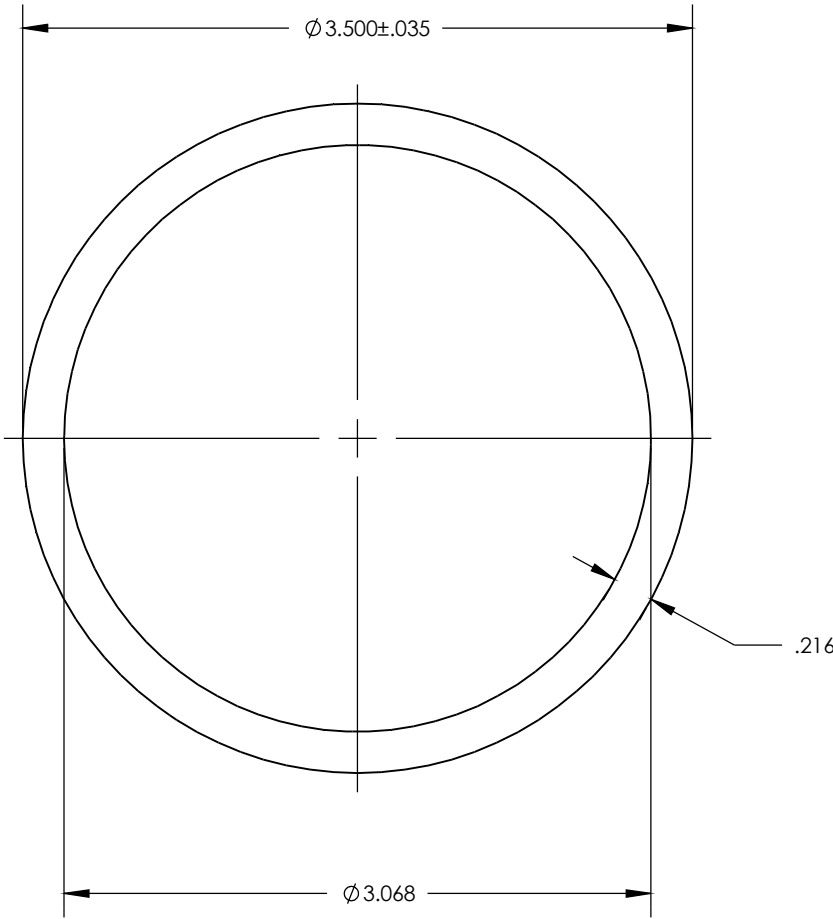


NOTE: BREAK ALL CORNERS WITH 0.015" (0.38 MM) RADIUS UNLESS OTHERWISE NOTED. STANDARD TOLERANCES TO APPLY UNLESS OTHERWISE SPECIFIED.

CUSTOMER PART No.	CUSTOMER <b>WOLVERINE STD</b>	WLV DIE No. <b>WH10274</b>	REV No. <b>0</b>
DESCRIPTION <b>3" SCH 40 PIPE</b>		QUOTE No. <b>18-1415-6</b>	PROPOSAL No. <b>H-10924</b>



WALL THICKNESS  $.216 \pm .009$

DATE	REV	DESCRIPTION	BY
EST. AREA	2.228	IN. <sup>2</sup>	EST. AREA 1437.417
EST. WT.	2.608	LBS/FT.	EST. WT. 3.881
EST. PER.	20.634	IN.	EST. PER. 524.104
OUT PER.	10.996	IN.	OUT PER. 279.298
C.C.D.	3.500	IN.	C.C.D. 88.900
FACTOR 8	FINISH M/F	ALLOY & TEMP. 6063	
CKD BY	SCALE 1:1	DWN BY <b>B.A.</b>	DATE 11/27/18

**WOLVERINE** 2100 MARKET STREET  
 DECATUR, AL 35816  
 800-633-3972

THIS DRAWING IS NOT NECESSARILY A COPY OF YOUR ORIGINAL. PLEASE APPROVE DIMENSIONS AND TOLERANCES INDICATED. WOLVERINE ASSUMES NO RESPONSIBILITY EITHER TECHNICAL OR LEGAL FOR HAVING THIS SHAPE MADE. THE CUSTOMER AGREES TO FULLY PROTECT WOLVERINE FROM CLAIMS OF OTHERS RESULTING FROM THIS SHAPE.

**SIGNED:** \_\_\_\_\_ **DATE:** \_\_\_\_\_  
**PRINT NAME:** \_\_\_\_\_