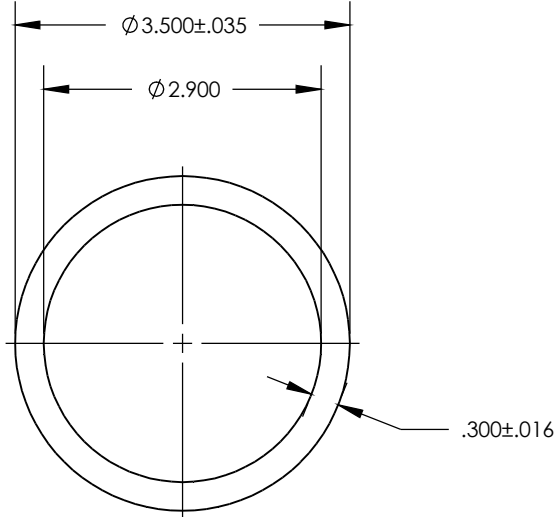


NOTE: BREAK ALL CORNERS WITH 0.015" (0.38 MM) RADIUS UNLESS OTHERWISE NOTED. STANDARD TOLERANCES TO APPLY UNLESS OTHERWISE SPECIFIED.

CUSTOMER PART No.	CUSTOMER WOLVERINE STD	WLV DIE No. WH10271	REV No. 0
DESCRIPTION 3" SCH 80 PIPE		QUOTE No. 18-1415-4	PROPOSAL No. H-10805



WALL THICKNESS $.300 \pm .016$

DATE	REV	DESCRIPTION	BY
EST. AREA	3.016	IN. ²	EST. AREA 1945.803
EST. WT.	3.530	LBS/FT.	EST. WT. 5.253
EST. PER.	20.106	IN.	EST. PER. 510.692
OUT PER.	10.996	IN.	OUT PER. 279.298
C.C.D.	3.500	IN.	C.C.D. 88.900
FACTOR 6	FINISH M/F	ALLOY & TEMP. 6063	
CKD BY	SCALE 1:2	DWN BY B.A.	DATE 11/5/18

WOLVERINE

2100 MARKET STREET
DECATUR, AL 35816
800-633-3972

THIS DRAWING IS NOT NECESSARILY A COPY OF YOUR ORIGINAL. PLEASE APPROVE DIMENSIONS AND TOLERANCES INDICATED. WOLVERINE ASSUMES NO RESPONSIBILITY EITHER TECHNICAL OR LEGAL FOR HAVING THIS SHAPE MADE. THE CUSTOMER AGREES TO FULLY PROTECT WOLVERINE FROM CLAIMS OF OTHERS RESULTING FROM THIS SHAPE.

SIGNED: _____ DATE: _____
PRINT NAME: _____