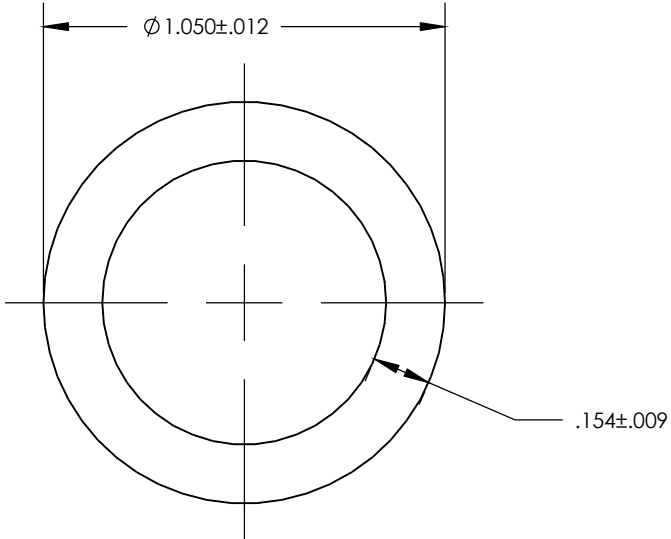


NOTE: BREAK ALL CORNERS WITH 0.015" (0.38 MM) RADIUS UNLESS OTHERWISE NOTED. STANDARD TOLERANCES TO APPLY UNLESS OTHERWISE SPECIFIED.

CUSTOMER PART No.	CUSTOMER WOLVERINE STD	WLV DIE No. WH10261	REV No. 0
DESCRIPTION 3/4" SCH 80 PIPE		QUOTE No. 18-1404-2	PROPOSAL No. H-10788



WALL THICKNESS .154 ±.009 EXCEPT AS SHOWN

DATE	REV	DESCRIPTION	BY
EST. AREA	.433	IN. ²	EST. AREA 279.354
EST. WT.	.507	LBS/FT.	EST. WT. .754
EST. PER.	5.630	IN.	EST. PER. 143.002
OUT PER.	3.299	IN.	OUT PER. 83.795
C.C.D.	1.050	IN.	C.C.D. 26.670
FACTOR 11	FINISH M/F	ALLOY & TEMP.	6061
CKD BY	SCALE 2:1	DWN BY	B.A. DATE 10/29/18

WOLVERINE

2100 MARKET STREET
DECATUR, AL 35816
800-633-3972

THIS DRAWING IS NOT NECESSARILY A COPY OF YOUR ORIGINAL. PLEASE APPROVE DIMENSIONS AND TOLERANCES INDICATED. WOLVERINE ASSUMES NO RESPONSIBILITY EITHER TECHNICAL OR LEGAL FOR HAVING THIS SHAPE MADE. THE CUSTOMER AGREES TO FULLY PROTECT WOLVERINE FROM CLAIMS OF OTHERS RESULTING FROM THIS SHAPE.

SIGNED: _____ DATE: _____
PRINT NAME: _____