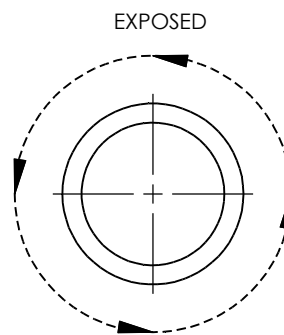
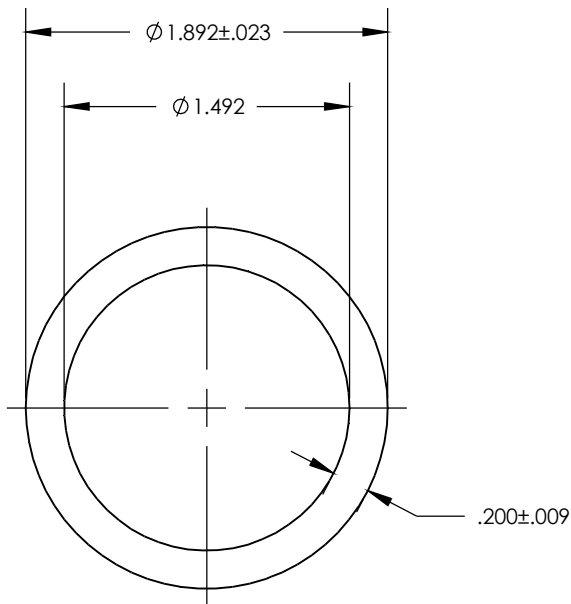


NOTE: BREAK ALL CORNERS WITH 0.015" (0.38 MM) RADIUS UNLESS OTHERWISE NOTED. STANDARD TOLERANCES TO APPLY UNLESS OTHERWISE SPECIFIED.

CUSTOMER PART No.	CUSTOMER WOLVERINE STD	WLV DIE No. WH10201	REV No. 0
DESCRIPTION 1-1/2" SCHEDULE 80 PIPE		QUOTE No. 18-1219-1	PROPOSAL No. H-10626



WALL THICKNESS $.200 \pm .009$ EXCEPT AS SHOWN

DATE	REV	DESCRIPTION	BY
EST. AREA	1.063	IN. ²	EST. AREA 685.805
EST. WT.	1.244	LBS/FT.	EST. WT. 1.851
EST. PER.	10.631	IN.	EST. PER. 270.027
OUT PER.	5.944	IN.	OUT PER. 150.978
C.C.D.	1.892	IN.	C.C.D. 48.057
FACTOR 8.5	FINISH M/F	ALLOY & TEMP. 6063/6061	
CKD BY	SCALE 1:1	DWN BY B.A.	DATE 9/4/18

WOLVERINE

2100 MARKET STREET
DECATUR, AL 35816
800-633-3972

THIS DRAWING IS NOT NECESSARILY A COPY OF YOUR ORIGINAL. PLEASE APPROVE DIMENSIONS AND TOLERANCES INDICATED. WOLVERINE ASSUMES NO RESPONSIBILITY EITHER TECHNICAL OR LEGAL FOR HAVING THIS SHAPE MADE. THE CUSTOMER AGREES TO FULLY PROTECT WOLVERINE FROM CLAIMS OF OTHERS RESULTING FROM THIS SHAPE.

SIGNED: _____ DATE: _____

PRINT NAME: _____