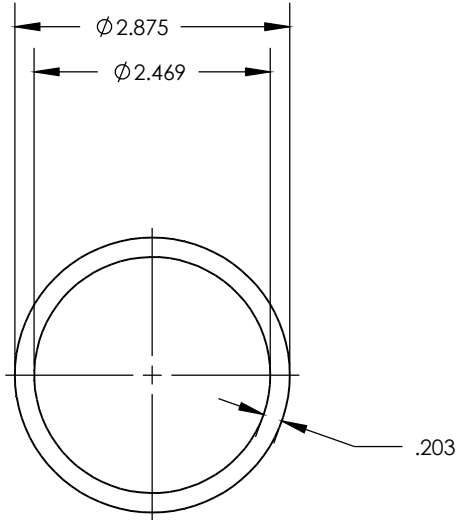


NOTE: BREAK ALL CORNERS WITH 0.015" (0.38 MM) RADIUS UNLESS OTHERWISE NOTED. STANDARD TOLERANCES TO APPLY UNLESS OTHERWISE SPECIFIED.

CUSTOMER PART No.	CUSTOMER WOLVERINE STD	WLV DIE No. WH10184	REV No. 0
DESCRIPTION 2 1/2" SCHEDULE 40 PIPE		QUOTE No. 18-1180-3	PROPOSAL No. H-10523



WALL THICKNESS $.203 \pm .009$ EXCEPT AS SHOWN

DATE	REV	DESCRIPTION	BY
EST. AREA	1.704	IN. ²	EST. AREA 1099.353
EST. WT.	1.995	LBS/FT.	EST. WT. 2.969
EST. PER.	16.789	IN.	EST. PER. 426.441
OUT PER.	9.032	IN.	OUT PER. 229.413
C.C.D.	2.875	IN.	C.C.D. 73.025
FACTOR 8.5	FINISH M/F	ALLOY & TEMP. 6061	
CKD BY	SCALE 1:2	DWN BY B.A.	DATE 8/10/18

WOLVERINE

2100 MARKET STREET
DECATUR, AL 35816
800-633-3972

THIS DRAWING IS NOT NECESSARILY A COPY OF YOUR ORIGINAL. PLEASE APPROVE DIMENSIONS AND TOLERANCES INDICATED. WOLVERINE ASSUMES NO RESPONSIBILITY EITHER TECHNICAL OR LEGAL FOR HAVING THIS SHAPE MADE. THE CUSTOMER AGREES TO FULLY PROTECT WOLVERINE FROM CLAIMS OF OTHERS RESULTING FROM THIS SHAPE.

SIGNED: _____ DATE: _____
PRINT NAME: _____