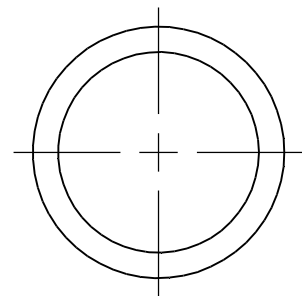
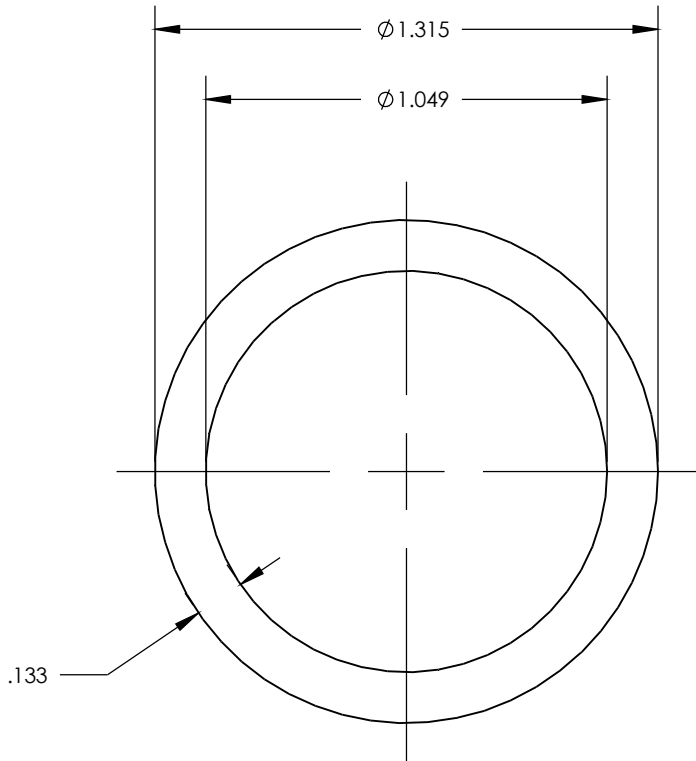


NOTE: BREAK ALL CORNERS WITH 0.015" (0.38 MM) RADIUS UNLESS OTHERWISE NOTED. STANDARD TOLERANCES TO APPLY UNLESS OTHERWISE SPECIFIED.

CUSTOMER PART No.	CUSTOMER WOLVERINE STD	WLV DIE No. WH10105	REV No. 0
DESCRIPTION 1" SCHEDULE 40 PIPE		QUOTE No. 18-1085-3	PROPOSAL No. H-10273



ACTUAL SIZE

WALL THICKNESS $.133"$ EXCEPT AS SHOWN

DATE	REV	DESCRIPTION	BY
EST. AREA	.494	IN. ²	EST. AREA 318.709
EST. WT.	.578	LBS/FT.	EST. WT. .860
EST. PER.	7.427	IN.	EST. PER. 188.646
OUT PER.	4.131	IN.	OUT PER. 104.927
C.C.D.	1.315	IN.	C.C.D. 33.401
FACTOR 13	FINISH M/F	ALLOY & TEMP.	6061/6063
CKD BY	SCALE 2:1	DWN BY B.A.	DATE 5/10/18

WOLVERINE

2100 MARKET STREET
 DECATUR, AL 35816
 800-633-3972

THIS DRAWING IS NOT NECESSARILY A COPY OF YOUR ORIGINAL. PLEASE APPROVE DIMENSIONS AND TOLERANCES INDICATED. WOLVERINE ASSUMES NO RESPONSIBILITY EITHER TECHNICAL OR LEGAL FOR HAVING THIS SHAPE MADE. THE CUSTOMER AGREES TO FULLY PROTECT WOLVERINE FROM CLAIMS OF OTHERS RESULTING FROM THIS SHAPE.

SIGNED: _____ DATE: _____
 PRINT NAME: _____