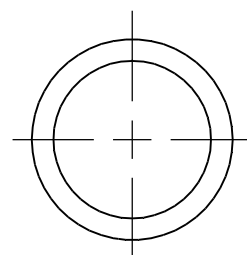
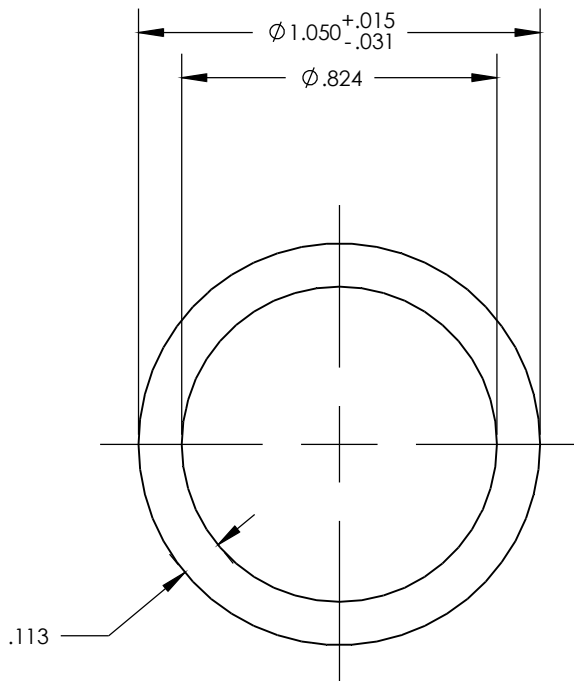


NOTE: BREAK ALL CORNERS WITH 0.015" (0.38 MM) RADIUS UNLESS OTHERWISE NOTED. STANDARD TOLERANCES TO APPLY UNLESS OTHERWISE SPECIFIED.

CUSTOMER PART No.	CUSTOMER <b>WOLVERINE STD</b>	WLV DIE No. <b>WH10104</b>	REV No. <b>0</b>
DESCRIPTION <b>3/4" SCHEDULE 40 PIPE</b>	QUOTE No. <b>18-1085-2</b>	PROPOSAL No. <b>H-10272</b>	



ACTUAL SIZE

WALL THICKNESS .113" EXCEPT AS SHOWN

DATE	REV	DESCRIPTION	BY	
EST. AREA	.333	IN. <sup>2</sup>	EST. AREA 214.838	MM. <sup>2</sup>
EST. WT.	.389	LBS/FT.	EST. WT. .579	KG/M
EST. PER.	5.887	IN.	EST. PER. 149.530	MM.
OUT PER.	3.299	IN.	OUT PER. 83.795	MM.
C.C.D.	1.050	IN.	C.C.D. 26.670	MM.
FACTOR 15	FINISH M/F	ALLOY & TEMP. 6061/6063		
CKD BY	SCALE 2:1	DWN BY <b>B.A.</b>	DATE 5/10/18	

**WOLVERINE**

2100 MARKET STREET  
DECATUR, AL 35816  
800-633-3972

THIS DRAWING IS NOT NECESSARILY A COPY OF YOUR ORIGINAL. PLEASE APPROVE DIMENSIONS AND TOLERANCES INDICATED. WOLVERINE ASSUMES NO RESPONSIBILITY EITHER TECHNICAL OR LEGAL FOR HAVING THIS SHAPE MADE. THE CUSTOMER AGREES TO FULLY PROTECT WOLVERINE FROM CLAIMS OF OTHERS RESULTING FROM THIS SHAPE.

SIGNED: \_\_\_\_\_ DATE: \_\_\_\_\_

PRINT NAME: \_\_\_\_\_