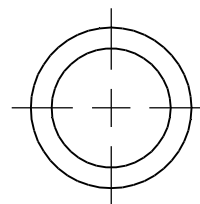
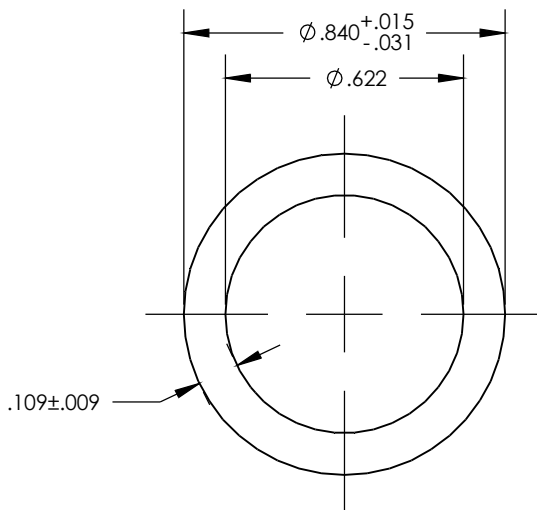


NOTE: BREAK ALL CORNERS WITH 0.015" (0.38 MM) RADIUS UNLESS OTHERWISE NOTED. STANDARD TOLERANCES TO APPLY UNLESS OTHERWISE SPECIFIED.

CUSTOMER PART No.	CUSTOMER WOLVERINE STD	WLV DIE No. WH10103	REV No. 0
DESCRIPTION 1/2" SCHED. 40 PIPE	QUOTE No. 18-1085-1	PROPOSAL No. H-10271	



ACTUAL SIZE

WALL THICKNESS $.109 \pm .009$ EXCEPT AS SHOWN

DATE	REV	DESCRIPTION	BY
EST. AREA	.250	IN. ²	EST. AREA 161.290
EST. WT.	.293	LBS/FT.	EST. WT. .436
EST. PER.	4.593	IN.	EST. PER. 116.662
OUT PER.	2.639	IN.	OUT PER. 67.031
C.C.D.	.840	IN.	C.C.D. 21.336
FACTOR 16	FINISH M/F	ALLOY & TEMP.	6061/6063
CKD BY	SCALE 2:1	DWN BY B.A.	DATE 5/10/18

WOLVERINE

2100 MARKET STREET
DECATUR, AL 35816
800-633-3972

THIS DRAWING IS NOT NECESSARILY A COPY OF YOUR ORIGINAL. PLEASE APPROVE DIMENSIONS AND TOLERANCES INDICATED. WOLVERINE ASSUMES NO RESPONSIBILITY EITHER TECHNICAL OR LEGAL FOR HAVING THIS SHAPE MADE. THE CUSTOMER AGREES TO FULLY PROTECT WOLVERINE FROM CLAIMS OF OTHERS RESULTING FROM THIS SHAPE.

SIGNED: _____ DATE: _____

PRINT NAME: _____