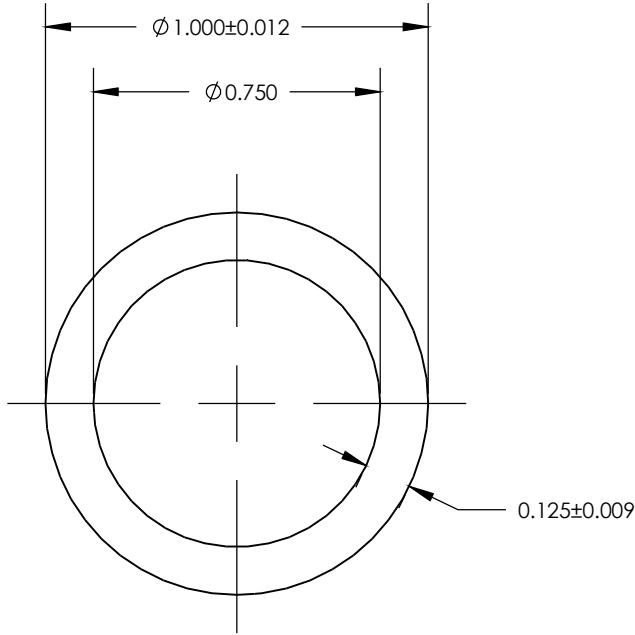


NOTE: BREAK ALL CORNERS WITH 0.015" (0.38 MM) RADIUS UNLESS OTHERWISE NOTED. STANDARD TOLERANCES TO APPLY UNLESS OTHERWISE SPECIFIED.

CUSTOMER PART No.	CUSTOMER WOLVERINE STD	WLV DIE No. WH10101	REV No. 0
DESCRIPTION	1.000" O.D. x .125" THK. ROUND TUBE	QUOTE No. 18-1083-1	PROPOSAL No. H-10268



WALL THICKNESS .125 ± .009 EXCEPT AS SHOWN

DATE	REV	DESCRIPTION	BY
EST. AREA	.344	IN. ²	EST. AREA 221.935
EST. WT.	.402	LBS/FT.	EST. WT. .598
EST. PER.	5.498	IN.	EST. PER. 139.649
OUT PER.	3.142	IN.	OUT PER. 79.807
C.C.D.	1.000	IN.	C.C.D. 25.400
FACTOR 14	FINISH M/F	ALLOY & TEMP.	6063/6061
CKD BY	SCALE 2:1	DWN BY B.A.	DATE 5/9/18

WOLVERINE

2100 MARKET STREET
DECATUR, AL 35816
800-633-3972

THIS DRAWING IS NOT NECESSARILY A COPY OF YOUR ORIGINAL. PLEASE APPROVE DIMENSIONS AND TOLERANCES INDICATED. WOLVERINE ASSUMES NO RESPONSIBILITY EITHER TECHNICAL OR LEGAL FOR HAVING THIS SHAPE MADE. THE CUSTOMER AGREES TO FULLY PROTECT WOLVERINE FROM CLAIMS OF OTHERS RESULTING FROM THIS SHAPE.

SIGNED: _____ DATE: _____
PRINT NAME: _____