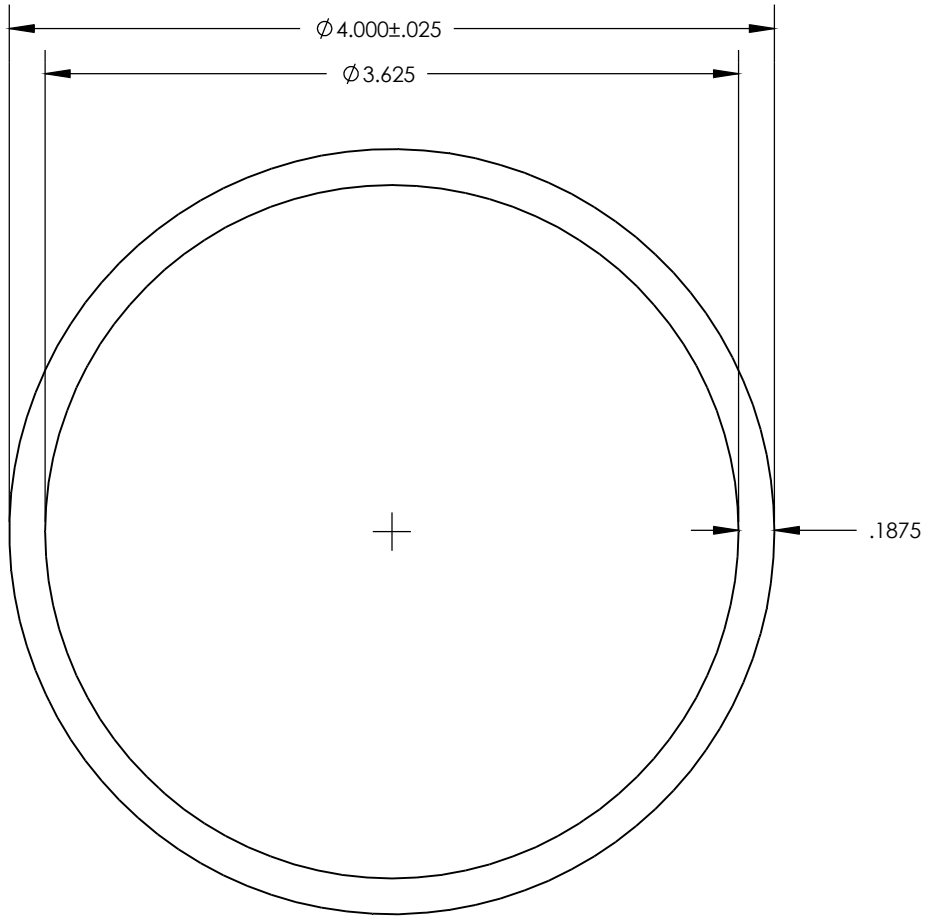


NOTE: BREAK ALL CORNERS WITH 0.015" (0.38 MM) RADIUS UNLESS OTHERWISE NOTED. STANDARD TOLERANCES TO APPLY UNLESS OTHERWISE SPECIFIED.

CUSTOMER PART No.	CUSTOMER WOLVERINE STD	WLV DIE No. WH10082	REV No. 0
DESCRIPTION 4" x .1875 WALL ROUND TUBE		QUOTE No. 18-1020-7	PROPOSAL No. H-10153



ACTUAL SIZE

WALL THICKNESS .1875 ± .009 EXCEPT AS SHOWN

DATE	REV	DESCRIPTION	BY
EST. AREA	2.246	IN. ²	EST. AREA 1449.029
EST. WT.	2.629	LBS/FT.	EST. WT. 3.912
EST. PER.	23.955	IN.	EST. PER. 608.457
OUT PER.	12.566	IN.	OUT PER. 319.176
C.C.D.	4.000	IN.	C.C.D. 101.600
FACTOR 9.5	FINISH M/F	ALLOY & TEMP. 6061	
CKD BY	SCALE 1:1	DWN BY B.A.	DATE 2/27/18

WOLVERINE

2100 MARKET STREET
DECATUR, AL 35816
800-633-3972

THIS DRAWING IS NOT NECESSARILY A COPY OF YOUR ORIGINAL. PLEASE APPROVE DIMENSIONS AND TOLERANCES INDICATED. WOLVERINE ASSUMES NO RESPONSIBILITY EITHER TECHNICAL OR LEGAL FOR HAVING THIS SHAPE MADE. THE CUSTOMER AGREES TO FULLY PROTECT WOLVERINE FROM CLAIMS OF OTHERS RESULTING FROM THIS SHAPE.

SIGNED: _____ DATE: _____
PRINT NAME: _____