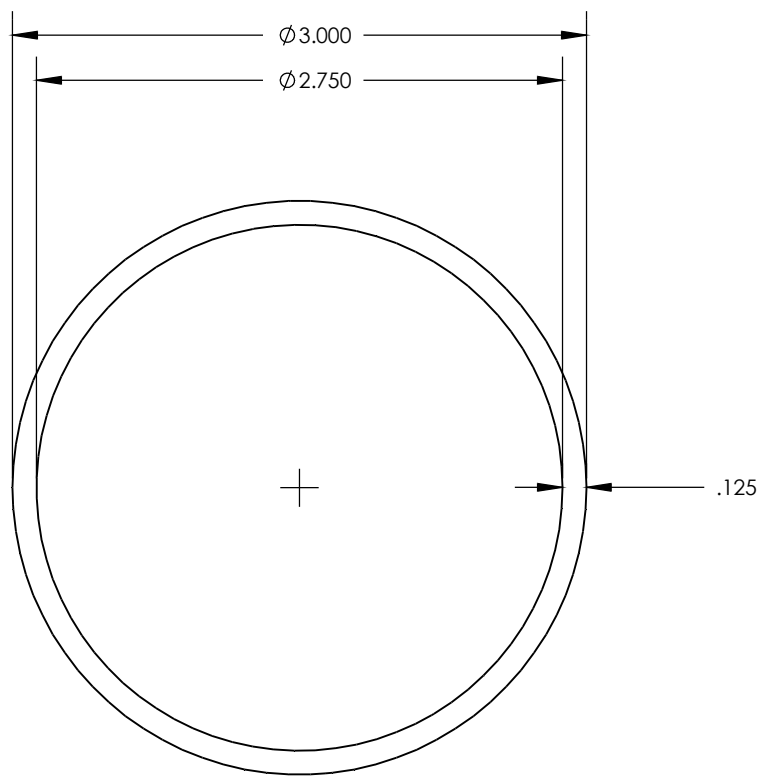


NOTE: BREAK ALL CORNERS WITH 0.015" (0.38 MM) RADIUS UNLESS OTHERWISE NOTED. STANDARD TOLERANCES TO APPLY UNLESS OTHERWISE SPECIFIED.

CUSTOMER PART No.	CUSTOMER WOLVERINE STD	WLV DIE No. WH10076	REV No. 0
DESCRIPTION 3" x .125 WALL ROUND TUBE		QUOTE No. 18-1017-2	PROPOSAL No. H-10143



ACTUAL SIZE

WALL THICKNESS .125" EXCEPT AS SHOWN

DATE	REV	DESCRIPTION	BY
EST. AREA	1.129	IN. ²	EST. AREA 728.386
EST. WT.	1.322	LBS/FT.	EST. WT. 1.967
EST. PER.	18.064	IN.	EST. PER. 458.826
OUT PER.	9.425	IN.	OUT PER. 239.395
C.C.D.	3.000	IN.	C.C.D. 76.200
FACTOR 14	FINISH M/F	ALLOY & TEMP. 6061	
CKD BY	SCALE 1:1	DWN BY B.A.	DATE 2/26/18

WOLVERINE

2100 MARKET STREET
DECATUR, AL 35816
800-633-3972

THIS DRAWING IS NOT NECESSARILY A COPY OF YOUR ORIGINAL. PLEASE APPROVE DIMENSIONS AND TOLERANCES INDICATED. WOLVERINE ASSUMES NO RESPONSIBILITY EITHER TECHNICAL OR LEGAL FOR HAVING THIS SHAPE MADE. THE CUSTOMER AGREES TO FULLY PROTECT WOLVERINE FROM CLAIMS OF OTHERS RESULTING FROM THIS SHAPE.

SIGNED: _____ DATE: _____
PRINT NAME: _____