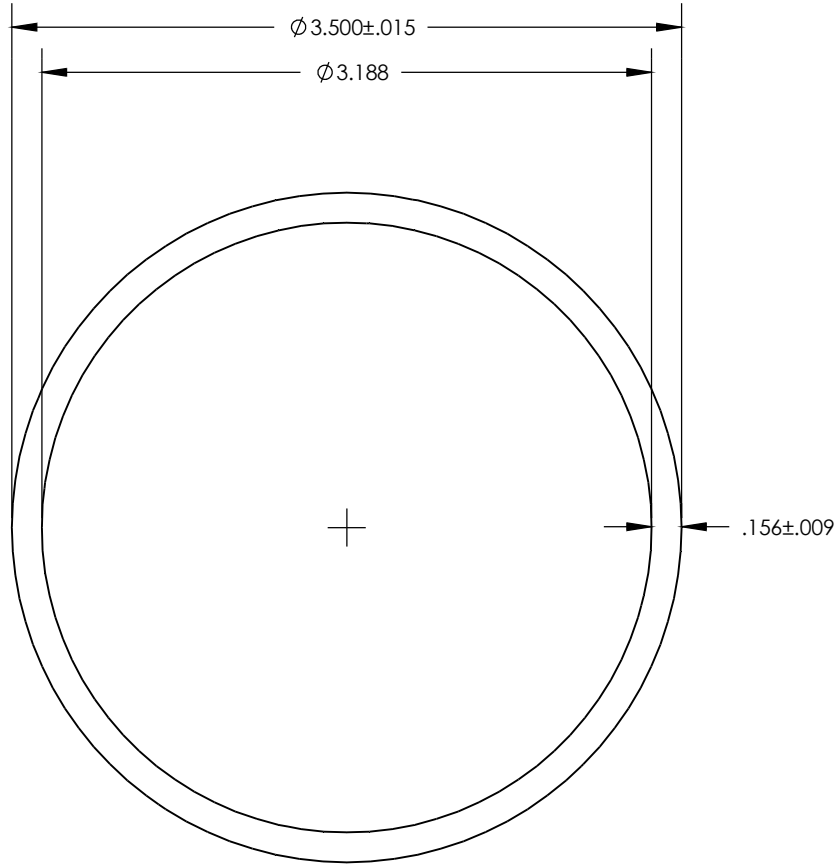


NOTE: BREAK ALL CORNERS WITH 0.015" (0.38 MM) RADIUS UNLESS OTHERWISE NOTED. STANDARD TOLERANCES TO APPLY UNLESS OTHERWISE SPECIFIED.

CUSTOMER PART No.	CUSTOMER WOLVERINE STD	WLV DIE No. WH10075	REV No. 0
DESCRIPTION 3.5" x .156 WALL ROUND TUBE		QUOTE No. 18-1017-3	PROPOSAL No. H-10144



ACTUAL SIZE

WALL THICKNESS .156 ± .009 EXCEPT AS SHOWN

DATE	REV	DESCRIPTION	BY
EST. AREA	1.639	IN. ²	EST. AREA 1057.417
EST. WT.	1.918	LBS/FT.	EST. WT. 2.854
EST. PER.	21.011	IN.	EST. PER. 533.679
OUT PER.	10.996	IN.	OUT PER. 279.298
C.C.D.	3.500	IN.	C.C.D. 88.900
FACTOR 11	FINISH M/F	ALLOY & TEMP. 6061	
CKD BY	SCALE 1:1	DWN BY B.A.	DATE 2/26/18

WOLVERINE

2100 MARKET STREET
DECATUR, AL 35816
800-633-3972

THIS DRAWING IS NOT NECESSARILY A COPY OF YOUR ORIGINAL. PLEASE APPROVE DIMENSIONS AND TOLERANCES INDICATED. WOLVERINE ASSUMES NO RESPONSIBILITY EITHER TECHNICAL OR LEGAL FOR HAVING THIS SHAPE MADE. THE CUSTOMER AGREES TO FULLY PROTECT WOLVERINE FROM CLAIMS OF OTHERS RESULTING FROM THIS SHAPE.

SIGNED: _____ DATE: _____

PRINT NAME: _____