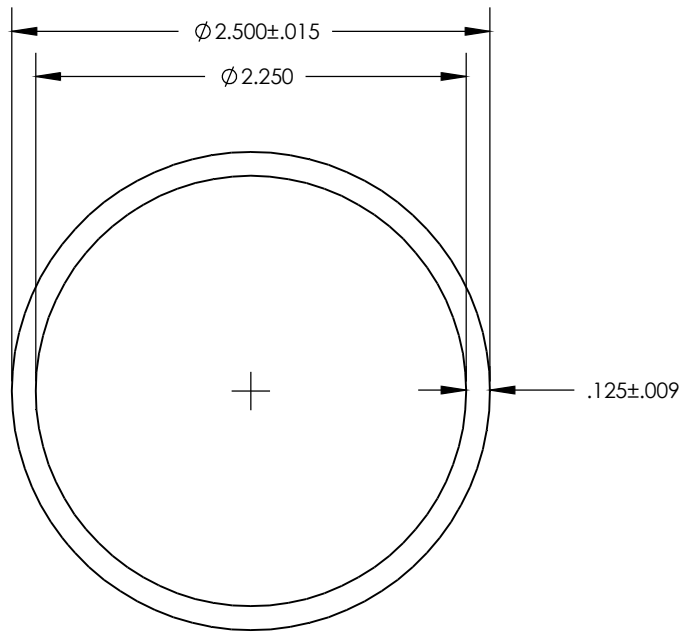


NOTE: BREAK ALL CORNERS WITH 0.015" (0.38 MM) RADIUS UNLESS OTHERWISE NOTED. STANDARD TOLERANCES TO APPLY UNLESS OTHERWISE SPECIFIED.

CUSTOMER PART No.	CUSTOMER <b>WOLVERINE STD</b>	WLV DIE No. <b>WH10074</b>	REV No. <b>0</b>
DESCRIPTION <b>2.5" x .125 WALL ROUND TUBE</b>	QUOTE No. <b>18-1017-1</b>	PROPOSAL No. <b>H-10142</b>	



ACTUAL SIZE

WALL THICKNESS .125 ± .009 EXCEPT AS SHOWN

DATE	REV	DESCRIPTION	BY
EST. AREA	.933	IN. <sup>2</sup>	EST. AREA 601.934
EST. WT.	1.092	LBS/FT.	EST. WT. 1.625
EST. PER.	14.923	IN.	EST. PER. 379.044
OUT PER.	7.854	IN.	OUT PER. 199.492
C.C.D.	2.500	IN.	C.C.D. 212.598
FACTOR 14	FINISH M/F	ALLOY & TEMP. 6061	
CKD BY	SCALE 1:1	DWN BY <b>B.A.</b>	DATE 2/26/18

**WOLVERINE** 2100 MARKET STREET  
 DECATUR, AL 35816  
 800-633-3972

THIS DRAWING IS NOT NECESSARILY A COPY OF YOUR ORIGINAL. PLEASE APPROVE DIMENSIONS AND TOLERANCES INDICATED. WOLVERINE ASSUMES NO RESPONSIBILITY EITHER TECHNICAL OR LEGAL FOR HAVING THIS SHAPE MADE. THE CUSTOMER AGREES TO FULLY PROTECT WOLVERINE FROM CLAIMS OF OTHERS RESULTING FROM THIS SHAPE.

**SIGNED:** \_\_\_\_\_ **DATE:** \_\_\_\_\_

**PRINT NAME:** \_\_\_\_\_