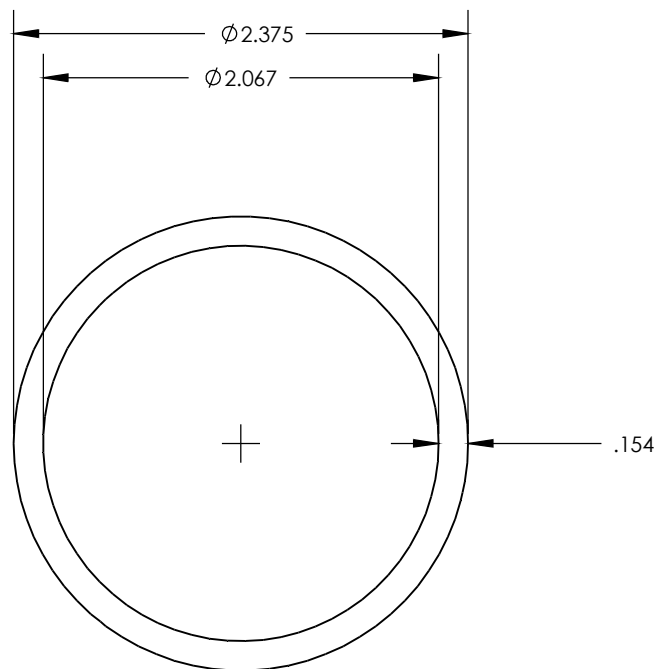


NOTE: BREAK ALL CORNERS WITH 0.015" (0.38 MM) RADIUS UNLESS OTHERWISE NOTED. STANDARD TOLERANCES TO APPLY UNLESS OTHERWISE SPECIFIED.

CUSTOMER PART No.	CUSTOMER WOLVERINE STD	WLV DIE No. WH10058	REV No. 0
DESCRIPTION 2" SCH. 40 PIPE		QUOTE No. 18-1014-1	PROPOSAL No. H-10141



ACTUAL SIZE

WALL THICKNESS $.154"$ EXCEPT AS SHOWN

DATE	REV	DESCRIPTION	BY
EST. AREA	1.075	IN. ²	EST. AREA 693.547
EST. WT.	1.258	LBS/FT.	EST. WT. 1.872
EST. PER.	13.955	IN.	EST. PER. 354.457
OUT PER.	7.461	IN.	OUT PER. 189.509
C.C.D.	2.375	IN.	C.C.D. 60.325
FACTOR 11	FINISH M/F	ALLOY & TEMP.	6063
CKD BY	SCALE 1:1	DWN BY B.A.	DATE 2/20/18

WOLVERINE

2100 MARKET STREET
DECATUR, AL 35816
800-633-3972

THIS DRAWING IS NOT NECESSARILY A COPY OF YOUR ORIGINAL. PLEASE APPROVE DIMENSIONS AND TOLERANCES INDICATED. WOLVERINE ASSUMES NO RESPONSIBILITY EITHER TECHNICAL OR LEGAL FOR HAVING THIS SHAPE MADE. THE CUSTOMER AGREES TO FULLY PROTECT WOLVERINE FROM CLAIMS OF OTHERS RESULTING FROM THIS SHAPE.

SIGNED: _____ DATE: _____

PRINT NAME: _____