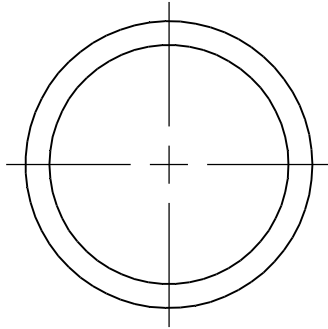
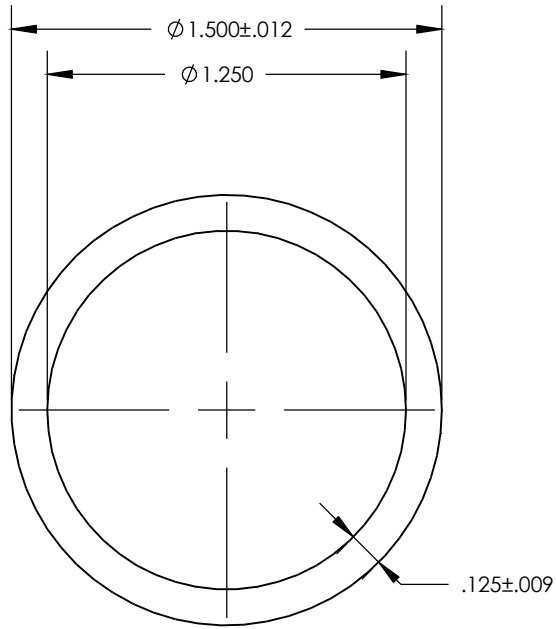


NOTE: BREAK ALL CORNERS WITH 0.015" (0.38 MM) RADIUS UNLESS OTHERWISE NOTED. STANDARD TOLERANCES TO APPLY UNLESS OTHERWISE SPECIFIED.

| | | | |
|--|----------------------------------|-------------------------------|-------------------------|
| CUSTOMER PART No. | CUSTOMER WOLVERINE STD | WLV DIE No. WH10055 | REV No. 0 |
| DESCRIPTION 1.5" O.D. x .125 THK ROUND TUBE | | QUOTE No. 18-1005-9 | PROPOSAL No. H-10079 |



ACTUAL SIZE

WALL THICKNESS .125 ± .009 EXCEPT AS SHOWN

| DATE | REV | DESCRIPTION | BY |
|-----------|------------|--------------------|-------------------|
| | | | |
| EST. AREA | .540 | IN. ² | EST. AREA 348.386 |
| EST. WT. | .632 | LBS/FT. | EST. WT. .941 |
| EST. PER. | 8.639 | IN. | EST. PER. 219.431 |
| OUT PER. | 4.712 | IN. | OUT PER. 119.685 |
| C.C.D. | 8.37 | IN. | C.C.D. 212.598 |
| FACTOR 14 | FINISH M/F | ALLOY & TEMP. 6063 | |
| CKD BY | SCALE 3:2 | DWN BY B.A. | DATE 1/24/18 |

WOLVERINE

2100 MARKET STREET
DECATUR, AL 35816
800-633-3972

THIS DRAWING IS NOT NECESSARILY A COPY OF YOUR ORIGINAL. PLEASE APPROVE DIMENSIONS AND TOLERANCES INDICATED. WOLVERINE ASSUMES NO RESPONSIBILITY EITHER TECHNICAL OR LEGAL FOR HAVING THIS SHAPE MADE. THE CUSTOMER AGREES TO FULLY PROTECT WOLVERINE FROM CLAIMS OF OTHERS RESULTING FROM THIS SHAPE.

SIGNED: _____ DATE: _____
PRINT NAME: _____