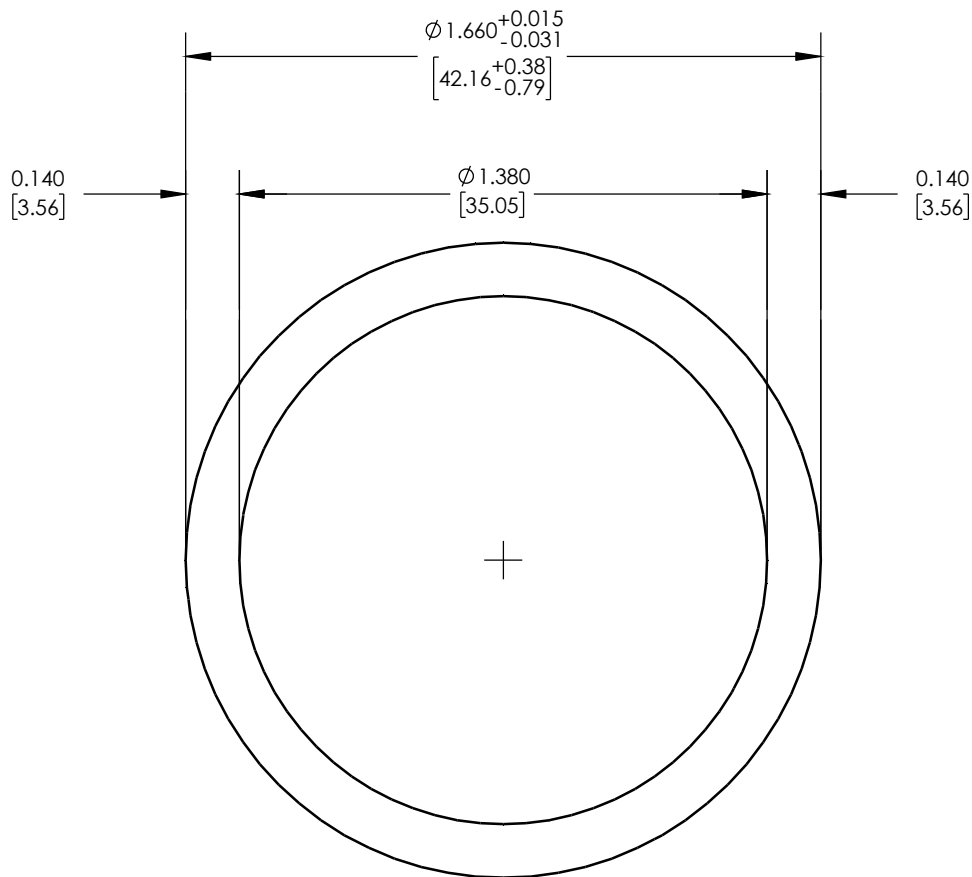
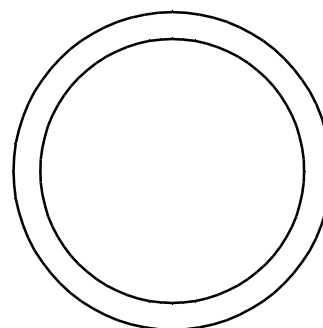


NOTE: BREAK ALL CORNERS WITH 0.015" (0.38 MM) RADIUS UNLESS OTHERWISE NOTED. STANDARD TOLERANCES TO APPLY UNLESS OTHERWISE SPECIFIED.

CUSTOMER PART No.	CUSTOMER WOLVERINE STD	WLV DIE No. WH10025	REV No. 0
DESCRIPTION 1 1/4" SCHEDULE 40 PIPE		PROPOSAL No.	



ALL OUTSIDE SURFACE EXPOSED



ACTUAL SIZE

WALL THICKNESS 0.140 (3.56) EXCEPT AS SHOWN

DATE	REV	DESCRIPTION	BY
EST. AREA	0.669	IN. ²	EST. AREA 431
EST. WT.	0.789	LBS/FT.	EST. WT. 1.174
EST. PER.	9.550	IN.	EST. PER. 242.6
OUT PER.	5.215	IN.	OUT PER. 132.5
C.C.D.	1.660	IN.	C.C.D. 42
FACTOR 12	FINISH M/F	ALLOY & TEMP.	6063
CKD BY	SCALE 2:1	DWN BY M.B.	DATE 09/05/17

WOLVERINE

2100 MARKET STREET
DECATUR, AL 35816

THIS DRAWING IS NOT NECESSARILY A COPY OF YOUR ORIGINAL. PLEASE APPROVE DIMENSIONS AND TOLERANCES INDICATED. WOLVERINE ASSUMES NO RESPONSIBILITY EITHER TECHNICAL OR LEGAL FOR HAVING THIS SHAPE MADE. THE CUSTOMER AGREES TO FULLY PROTECT WOLVERINE FROM CLAIMS OF OTHERS RESULTING FROM THIS SHAPE.