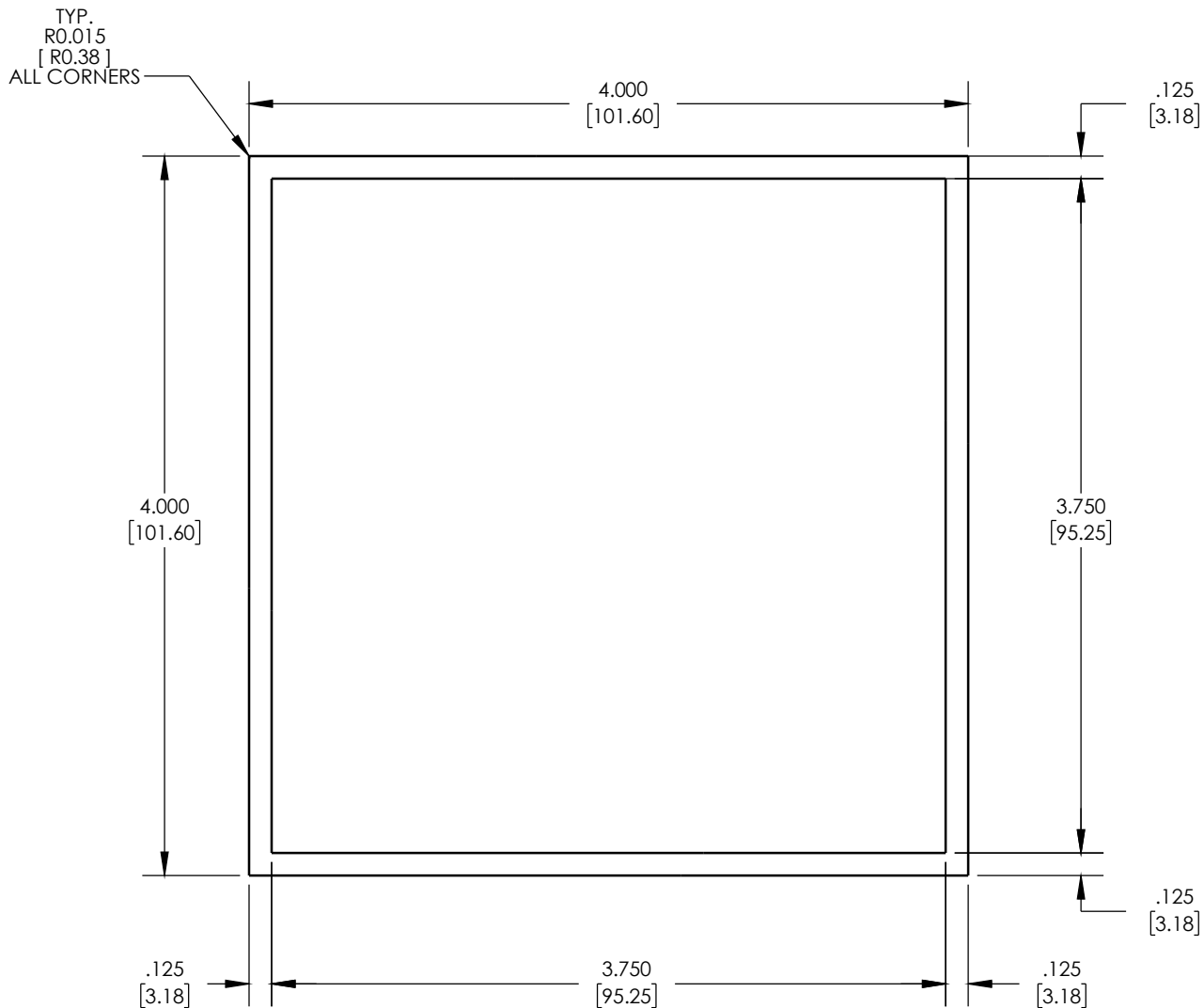


CUSTOMER PART No.	CUSTOMER <b>WOLVERINE STD</b>	WLV DIE No. <b>WH10012</b>	REV No. <b>0</b>
DESCRIPTION <b>4" SQUARE x 0.125"</b>		PROPOSAL No.	



WALL THICKNESS 0.125 (3.18) EXCEPT AS SHOWN

DATE	REV	DESCRIPTION	BY
EST. AREA	1.938	IN. <sup>2</sup>	EST. AREA 1250.007
EST. WT.	2.325	LBS/FT.	EST. WT. 3.460
EST. PER.	30.948	IN.	EST. PER. 786.092
OUT PER.	15.974	IN.	OUT PER. 405.7
C.C.D.	5.636	IN.	C.C.D. 143.146
FACTOR 13	FINISH M/F	ALLOY & TEMP.	6063-T6
CKD BY	SCALE 1:1	DWN BY <b>M.B.</b>	DATE 09/06/17

**WOLVERINE**

2100 MARKET STREET  
DECATUR, AL 35816

THIS DRAWING IS NOT NECESSARILY A COPY OF YOUR ORIGINAL. PLEASE APPROVE DIMENSIONS AND TOLERANCES INDICATED. WOLVERINE ASSUMES NO RESPONSIBILITY EITHER TECHNICAL OR LEGAL FOR HAVING THIS SHAPE MADE. THE CUSTOMER AGREES TO FULLY PROTECT WOLVERINE FROM CLAIMS OF OTHERS RESULTING FROM THIS SHAPE.

NOTE: BREAK ALL CORNERS WITH 0.015" (0.38 MM) RADIUS UNLESS OTHERWISE NOTED. STANDARD TOLERANCES TO APPLY UNLESS OTHERWISE SPECIFIED.