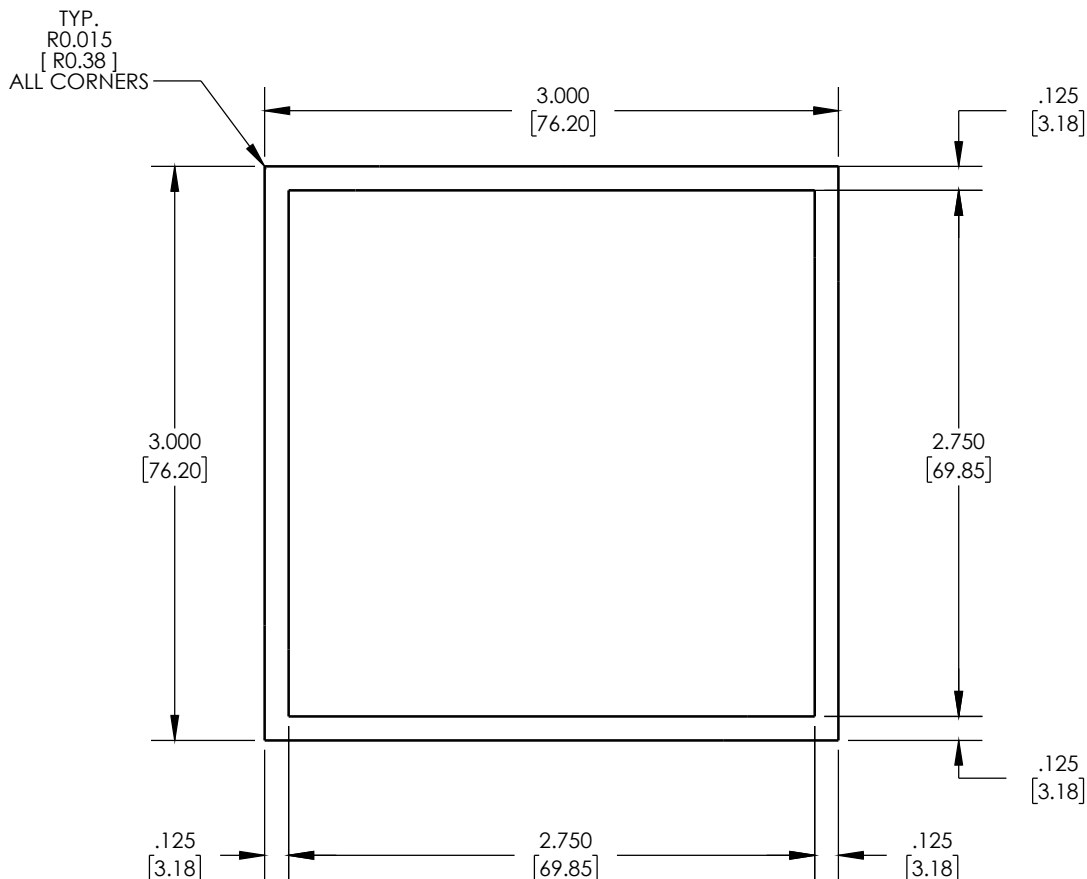


NOTE: BREAK ALL CORNERS WITH 0.015" (0.38 MM) RADIUS UNLESS OTHERWISE NOTED. STANDARD TOLERANCES TO APPLY UNLESS OTHERWISE SPECIFIED.

CUSTOMER PART No.	CUSTOMER WOLVERINE STD	WLV DIE No. WH10011	REV No. 0
DESCRIPTION 3" x 0.125" SQ. TUBE		PROPOSAL No.	



WALL THICKNESS 0.125 (3.18) EXCEPT AS SHOWN

DATE	REV	DESCRIPTION	BY
EST. AREA	1.437	IN. ²	EST. AREA 927.425
EST. WT.	1.696	LBS/FT.	EST. WT. 2.524
EST. PER.	23.000	IN.	EST. PER. 584.200
OUT PER.	12.000	IN.	OUT PER. 304.8
C.C.D.	4.243	IN.	C.C.D. 107.763
FACTOR 14	FINISH M/F	ALLOY & TEMP.	6063
CKD BY	SCALE 1:1	DWN BY M.B.	DATE 09/06/17

WOLVERINE

2100 MARKET STREET
DECATUR, AL 35816

THIS DRAWING IS NOT NECESSARILY A COPY OF YOUR ORIGINAL. PLEASE APPROVE DIMENSIONS AND TOLERANCES INDICATED. WOLVERINE ASSUMES NO RESPONSIBILITY EITHER TECHNICAL OR LEGAL FOR HAVING THIS SHAPE MADE. THE CUSTOMER AGREES TO FULLY PROTECT WOLVERINE FROM CLAIMS OF OTHERS RESULTING FROM THIS SHAPE.